



B **BERGARA**[®]
OUR BARRELS MAKE THE DIFFERENCE

B-14

OWNER'S MANUAL
MANUAL DE USUARIO
BENUTZERHANDBUCH
MANUEL D'USAGE

CONTENTS

EN

1. Introduction	4
2. General safety	5-6
3. Before firing the rifle	7
4. Loading the rifle	8
5. Loading the ammunition into a detachable magazine	8
6. Functioning of detachable magazine system	9
7. Assembly of detachable magazine kit	9
8. Firing the rifle	10-11
9. Breaking in the barrel	12
10. Removing a bullet stuck in the bore	12
11. Use of military ammunition	12
12. Trigger pull adjustment	13
13. Testing a trigger setting for safety	14
14. Maintenance of the trigger	14
15. Mounting the scope	14-15
16. Field strip	15
17. Cleaning and maintenance	16-17
• Barrel	16
• Receiver and bolt	17
• Stock and forend	17
18. Storage	17
19. B14 BMP model	18-19
• Stock regulation	18
• Loading the rifle	19
20. B14 BMP model description	20-21
21. B14 HMR model	24
• Stock regulation	18
• Loading the rifle	19
22. B14 HMR model description	24
23. FAQs, causes and solutions	18-21
24. General description	22-23
25. Warranty	24

1. INTRODUCTION AND GENERAL SAFETY

Thank you for buying a Bergara B14 bolt action rifle.

We hope that this firearm is up to your expectations, serves you as intended and gives you years of satisfaction.

Please read this manual. There are many features that the user must familiarize with to safely use this firearm.

The future of shooting sports depends on you.

Accidents, misuse of firearms etc. are portrayed as reasons to ban shooting sports in general and firearms in particular. Please be responsible, promote safety and listen to safety advices from other fellow shooters.

If after reading the instructions, warnings and risks detailed in this manual you are not ready to accept the responsibility involved in handling and shooting a firearm safely, return the gun to where you bought it.

All security measures should be taken into account for the safe use of the firearm.

2. GENERAL SAFETY

10 Safety rules for handling your firearm

- 1 Always keep the muzzle pointed in a safe direction, even when the rifle is unloaded.
- 2 Be sure of your target and of what is behind it before aiming at anything.
- 3 Never trust the mechanical safety catch of a firearm.
- 4 The firearm must be unloaded until the moment of use.
- 5 Always use eye and ear protection.
- 6 The barrel must be free from any obstruction before loading and firing.
- 7 Handle every firearm as if it were loaded.
- 8 Store firearms and ammunition separately and in an enclosed, locked area.
- 9 Avoid the consumption of alcohol and drugs before and while using a firearm.
- 10 Do not alter or modify your firearm. Make sure your firearm is serviced regularly by a competent gunsmith. Make sure all the parts are working properly before each use.

2. SAFETY CONSIDERATIONS FOR ALL FIREARMS

- Never smoke while you are shooting or handling a firearm or related material. The ashes or sparks can ignite the gunpowder or cartridges, causing personal injury or death.
- Always use eye protection. It is possible that sparks fly from the breech or the muzzle when we use a rifle.
- Always check the rifle before using it to ensure it is in good working order. Test the trigger and the release system carefully before loading. Make sure that the barrel is not obstructed. Any obstruction can cause the barrel to rupture, resulting in serious injury or death.
- Never load a firearm until you are ready to shoot. You must remove the cartridge when walking, climbing trees or fences, passing the firearm from one person to another, jumping a wall or fence, etc.
- Never lean a firearm against a wall, a tree, a vehicle or any other surface. If a loaded firearm falls it may cause the weapon to accidentally fire, causing serious injury or death.
- Never transport a loaded firearm in any type of vehicle. The firearm is considered to be loaded all the while that the cartridge remains in the chamber.
- Never store a loaded firearm. The firearm must be unloaded and cleaned before any type of storage.
- Never load a firearm without first ensuring that the barrel is clean and unobstructed. If the firearm falls to the floor by accident, check that the barrel has not become obstructed.
- Be very careful when hunting from a position in a tree. If a loaded firearm accidentally falls it may cause the weapon to fire, causing serious injury or death. Make sure the firearm is unloaded before climbing up or down from a tree.
- Never trust the mechanical safety catch! Mechanical devices can and do fail. Firearms must always be handled as if they were ready for shooting, regardless of the position or the mechanical condition of the safety catch.
- Always follow the proper cleaning procedures. Shooting a firearm that is poorly maintained or corroded can lead to dangerous pressure and/or cause the barrel to explode, causing serious injury or death.
- Never point the barrel at anything you do not wish to see damaged. When carrying the firearm on your shoulder, make sure that the barrel is pointing upwards.
- Never try to modify the inner parts of your firearm. Doing so may cause a dangerous situation, provoking an accidental discharge of the weapon and causing serious injury or death. These alterations will generally void the warranty.
- Never leave the firearm unattended or in the reach of children. In some countries it is punishable by law.

3. BEFORE FIRING THE RIFLE

Familiarize yourself with the rifle. Learn how it works and how to use it without ammunition.

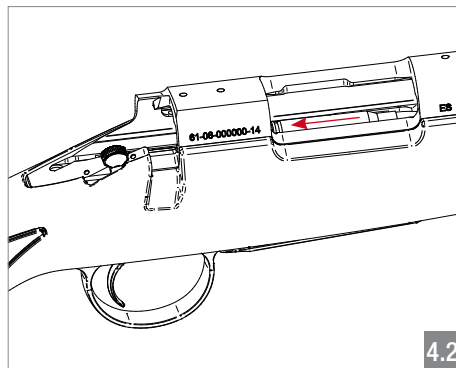
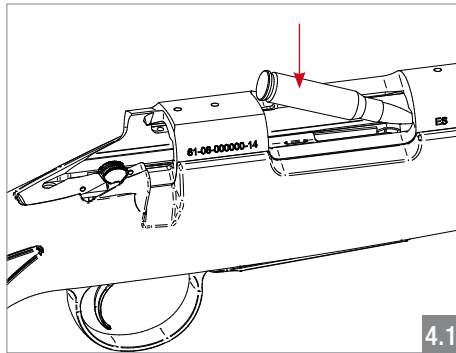
Recommendations before using the rifle:

- The rifle comes packed with the bolt detached from the action. Before assembling the bolt, check that the rifle is not loaded, i.e. that there is no casing in the chamber or obstruction in the bore.
- Make sure that there is no cartridge in the magazine.
- Clean the barrel on the inside as shown in the section on “cleaning and maintenance”.
- Wipe off the excess oil from the bolt and the receiver area.
- Insert the bolt into its action as shown under “dismantling of the firearm components for cleaning purposes” in this manual.
- Check the trigger for proper function by dry firing several times.
- After completing the above steps, you can load the firearm as shown in the following section of this manual.
- The first time a firearm is fired, it is recommended to break in the barrel. This process is described in the section “Breaking in the barrel”.

4. LOADING THE RIFLE

The B14 is used as follows:

Load the magazine from the upper side with the correct ammunition. Push the cartridge down into the magazine (Fig. 4.1) and pull it back when it is inside (Fig. 4.2). The capacity of the magazine is 4 cartridges + 1 in the chamber for standard calibers and 3 cartridges + 1 in the chamber for magnum calibers. If these actions are not performed correctly you may have problems with the performance of the rifle.

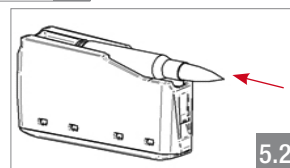
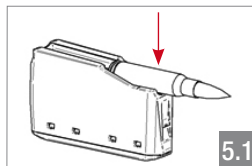


Safety advice:

Double check that the ammunition being loaded is the correct type. The barrel of the rifle has the caliber marked on the side. Shooting ammunition of a different caliber to that marked on the barrel is very dangerous and can cause very serious accidents.

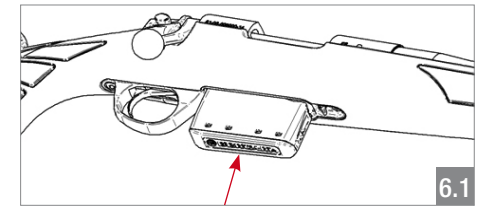
5. LOADING THE AMMUNITION INTO A DETACHABLE MAGAZINE

Load the magazine from the upper side with the corresponding ammunition. Push the cartridge down (Fig. 5.1) and once it leans on the front side of the magazine slide it back (Fig. 5.2). The capacity of the magazine is 3 cartridges for standard calibers and 2 cartridges for magnum calibers. Functioning problems may happen if these steps are not followed.

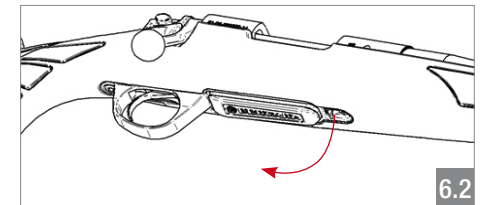


6. FUNCTIONING OF DETACHABLE MAGAZINE SYSTEM

To install the magazine push it to the top, inside the trigger guard, being the ammunition exit side up. (Fig. 6.1)



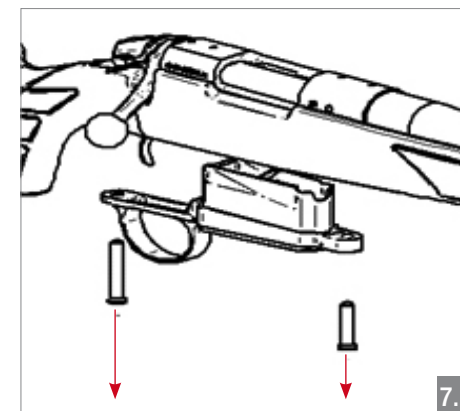
To release the magazine pull the lever located on the front side of the trigger guard. (Fig. 6.2)



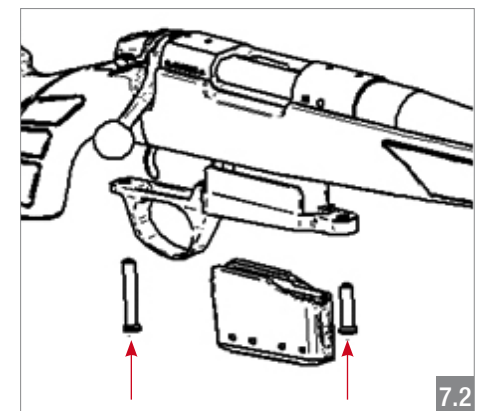
7. ASSEMBLY OF DETACHABLE MAGAZINE KIT

A detachable magazine kit is available for floor plate B14 rifles. Follow the following steps for the correct assembly of this kit.

- Unscrew the floorplate and extract it with all its pieces. (Fig. 7.1)



- Install the new trigger guard and screw it to the rifle with the screws supplied in this kit (Fig. 7.2). The torque for these screws 6,2Nm (55lbs in).
- Install the magazine in the trigger guard.



8. FIRING THE RIFLE

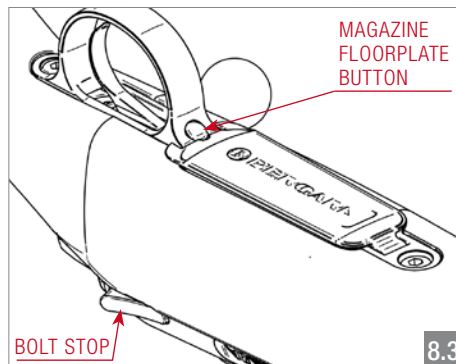
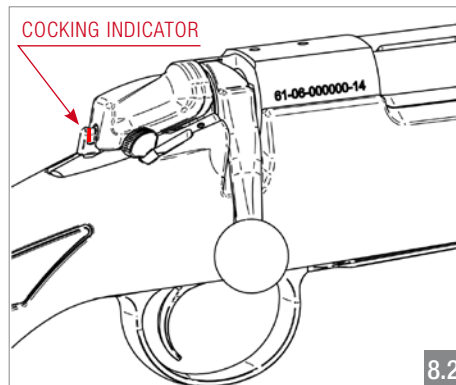
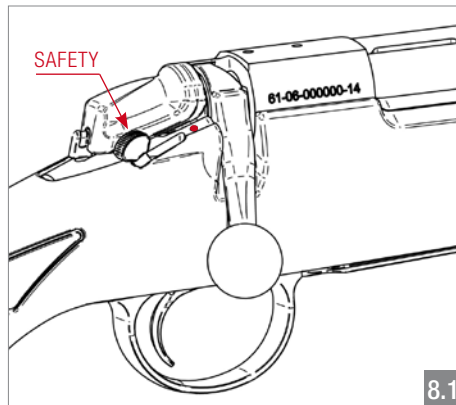
- Remove the bolt and make sure the firearm is not loaded. Also verify that nothing is obstructing the bore. Make sure the magazine floor plate is closed.
- The safety catch cannot be activated if the bolt handle is in the down position and the firing pin is not cocked. Having lifted the bolt handle you can now activate the safety catch of the rifle. Therefore, put the safety catch on once the bolt handle is up and before inserting a bullet into the chamber. The rifle is put into the safe position by pushing the safety catch back, towards the white dot. (Fig. 8.1)
- Close the bolt. Check the red cocking indicator. (Fig. 8.2)

Safety advices:

When you load the firearm make sure you have lowered the bolt handle right down to the stop.

*If you close the bolt and the cocking indicator does not protrude, do not use the rifle. Take the firearm to a qualified gunsmith or contact **Bergara Customer Service**.*

- When you are ready to shoot, disengage the safety catch (lever forward) and gently pull the trigger.



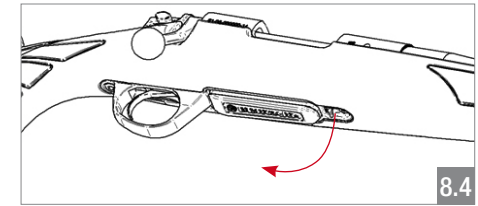
8. FIRING THE RIFLE

Safety advices:

If on pulling the trigger of a loaded firearm the rifle does not fire, point the rifle in a safe direction and wait 30 seconds before opening the bolt. The bolt must be opened very carefully.

*If you suspect you have made a defective shot and that the bullet has not left the barrel, remove the bolt and check it. This situation can occur because the gunpowder has deteriorated, does not burn or only partially burns. Take the rifle to a qualified gunsmith or contact **Bergara Customer Service**.*

- Once fired, open the bolt, pull back as far as the stop, then push forward and close



the bolt. Make sure the rifle ejects the used cartridge. It is important to pull the bolt all the way back and not just a short way as this could jam the firearm.

- To empty the ammunition from the firearm, remove the bolt from receiver and then remove the ammunition by pressing the button on the magazine floorplate (Fig. 8.3) or remove the detachable magazine. (Fig. 8.4)
- Make sure that there is no cartridge in the chamber.

9. BREAKING IN THE BARREL

During manufacturing, microscopic imperfections are created in the bore of the barrel. These imperfections are smoothed after several rounds of shots. If these imperfections are removed correctly, the barrel will foul less, will be easier to clean, will be more uniform and will become more accurate.

The process of removing these imperfections is called "Breaking in the barrel". The process involves firing a shot or a series of shots and then cleaning the bore.

Allow the barrel to cool down before you start cleaning.

Recommended breaking in process:

- For the first 5 shots clean the rifle after each shot.
- For the next 50 shots clean the rifle after every 10 shots.
- For subsequent shots clean the rifle frequently.

10. REMOVING A BULLET STUCK IN THE BORE

Safety advice: Do not try to remove the bullet that is stuck by firing again, because the pressure created can destroy the firearm injuring the shooter. Take this to a qualified gunsmith or contact **Bergara Customer Service**.

11. USE OF MILITARY AMMUNITION

Military ammunition, such as the 5.56 NATO and 7.62 NATO, is not completely interchangeable with commercial ammunition, such as the .223 Remington and .308 Winchester. There are other differences in the dimensions

of the chamber and the pressure with which the ammunition is usually loaded. Therefore BERGARA and the SAAMI do not recommend using military ammunition in civilian firearms.

12. TRIGGER PULL ADJUSTMENT

The B14 features a fully adjustable trigger mechanism. The trigger pull is pre-set at the factory at about 1 kg (2.2 lbs). The possible adjustment is between 1 kg (2.2 lbs) to 2 kg (4.4 lbs) in all models.

Safety advices:

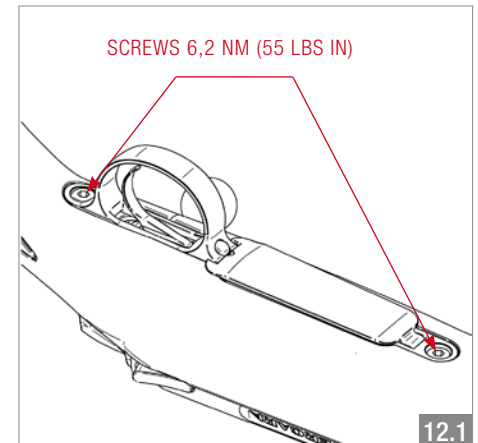
Do not change the trigger mechanism for one made by another manufacturer. It may fit in your firearm but it may not work properly, causing it to be unsafe. The replacement of the firing mechanism voids the warranty.

The trigger must be adjusted by a qualified gunsmith or the factory only.

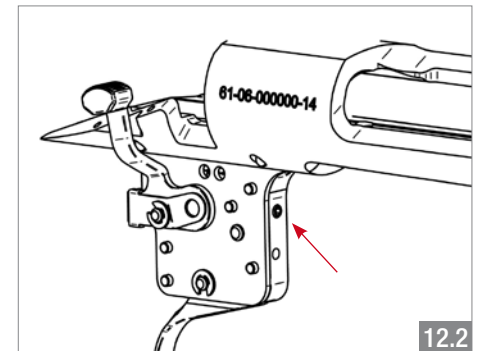
- To access to the adjustment screw you will have to remove the stock. To do this, release the magazine tray and unscrew the screws of the trigger guard (Fig. 12.1). When removing the stock it can become jammed in the receiver and removing it may take a while.
- The adjusting screw for trigger pull (Fig. 12.2) adjusts the force required to pull the trigger.

Safety advice:

A trigger that is too light can cause an accidental discharge.



12.1



12.2

Do not touch any other screws since it can be dangerous.

13. TESTING A TRIGGER SETTING FOR SAFETY

After having the trigger adjusted the following tests should be made:

- Close the bolt as fast as possible. The cocking indicator should remain visible. If this is not the case, contact Bergara Customer Service.
- Check the trigger pull with a trigger pull weight scale. If the trigger pull weight is

less than 1kg (2.2lbs), increase the trigger pull.

- Simulate a shot and do a full cycle. The red cocking indicator should be visible. If not, contact technical service.

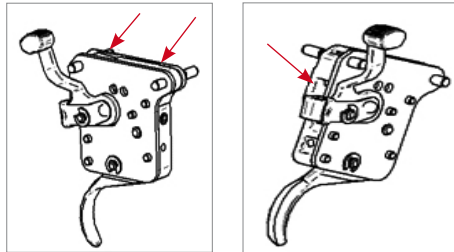
Safety advice:

Never perform these tests with the firearm loaded.

14. MAINTENANCE OF THE TRIGGER

The trigger must be lubricated periodically for proper conservation.

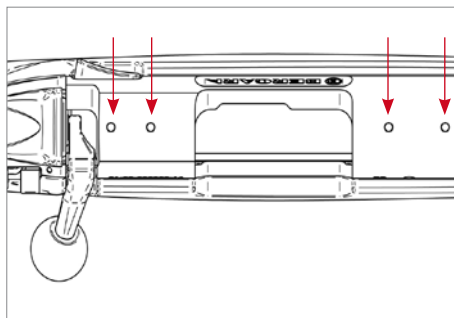
We recommend to spray a thin liquid lubricant. Do not use solid lubricants such as vaseline.



15. MOUNTING THE SCOPE

The receiver has 4 threaded holes. Commercially available scope bases suitable for the Remington® 700™ rifle will fit the BERGARA B14. Use rings of appropriate height.

When you install the scope ring or rail, we recommend using a thread locking product comparable to Loctite® 242. This will prevent the scope from loosening over time due to the recoil.



15. MOUNTING THE SCOPE

To install the scope, follow the instructions provided by the scope manufacturer.

Make sure you use the proper length screws for the scope mounts. The screws should not protrude inside the receiver. The rear screws are sometimes longer than front screws. Changing the position of these screws may cause problems the performance of the rifle.

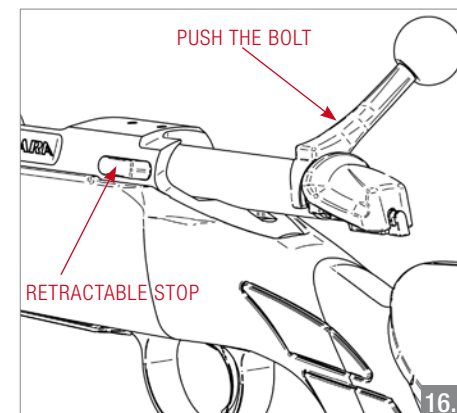
Safety advice:

Always wear protective glasses when firing. Do not install the scope too close to the eye. Due to the recoil the scope can hit the shooter's face and cause injury. As practical advice, check that your fist can fit between your eye and the scope. If the eye relief is too short, replace it for one with greater eye relief.

16. FIELD STRIP

To dismantle the gun for cleaning or inspection, take the following steps (Fig. 16.1):

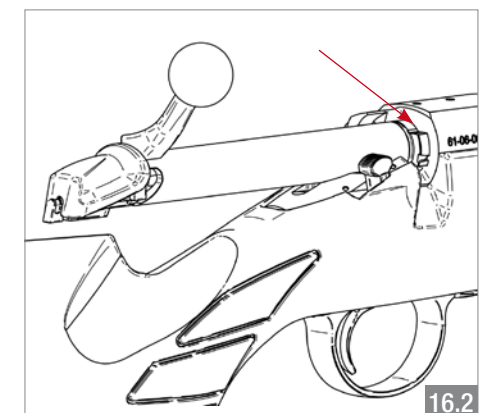
- Unload the rifle by releasing the floorplate or remove the detachable magazine.
- Position the bolt about 25 mm (1 inch) before the stop.
- Push the release of the retractable stop and remove the bolt.



- Verify there is no cartridge in the chamber or the bore, looking through the barrel from the chamber side.

To assemble the dismantled rifle (Fig. 16.2):

- Press the release of the retractable stop and insert the bolt. Rotate the bolt until it aligns with the channel.
- Make sure the floorplate is closed, if not, close it.



17. CLEANING AND MAINTENANCE

In general, the B14 rifle is easy to maintain. In this section you will find all the information required to keep the rifle in good shape.

After firing a shot with the rifle, if it is not cleaned properly within 24 hours corrosion will start to appear in some of the components of the firearm. In humid environments the appearance of corrosion is even more likely than in normal conditions.

We therefore recommend that you clean the following parts regularly, especially after a day of hunting or on the shooting range (always refer to the instructions provided by the manufacturer of the chemical products used):

Barrel

The high quality of the Bergara rifle barrel requires proper care to maintain its accuracy. This advice should be followed:

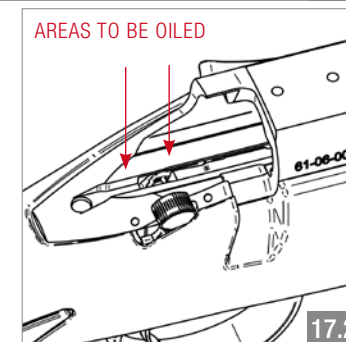
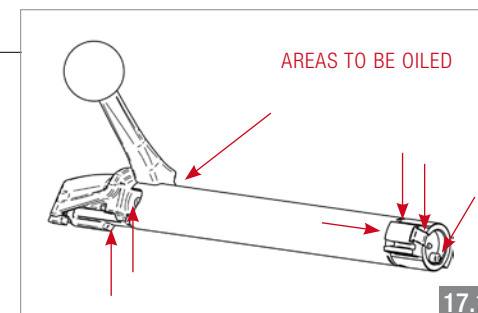
- The correct direction for cleaning is from the chamber to the muzzle. Cleaning the barrel in the opposite direction seriously affects the accuracy.
- If possible, use a quality, one piece cleaning rod to avoid damaging the bore.
- Use suitable cleaning products to help prolong the life of the barrel.
- Try to avoid the accumulation of too much copper in the bore. It will significantly reduce the accuracy.
- Use a high quality brush for cleaning the bore. Avoid stainless steel brushes.
- It is highly recommended to also clean the chamber. Use a suitable brush.
- After cleaning the bore, apply a patch (a cloth square) soaked in gun oil to prevent rust. Run a dry cloth through it before shooting to remove the oil and not damage the bore.

Important: Traces of oil inside the barrel at the moment of firing can cause overpressure.

- Check the crowning regularly for damage because this can seriously affect the accuracy.

Receiver and bolt

- Clean the entire bolt and the inside of the receiver with a cloth impregnated with a suitable product to remove residues.
- Using a brush, clean the bolt face and extractor. Also clean the exposed area of the firing mechanism and the bolt head lugs.
- The body of the bolt, the lugs, the cocking channel and the safety catch must be lubricated or greased. Periodically, a drop of suitable oil should be placed on the ejector and the extractor (*Fig. 17.1 y 17.2*), until we get a very thin film of oil.



Stock

- A fine brush can be used to remove dust from the outside.
- The synthetic stock is easily cleaned with a damp microfiber cloth.
- The wooden stock has been treated with oil at the factory. Generally speaking it is only necessary to dry it after use, however, to keep it in good condition it is desirable to occasionally apply a good stock oil.
- After cleaning, lubricate all the exposed metal parts of the rifle.

18. STORAGE

- Store your gun in a safe including a method for reducing the relative humidity.
- From time to time, remove the rifle from its storage location and clean it.
- Follow the legal regulations regarding storage of firearms.
- If you are going to keep the rifle in the gun rack for an extended time, store it uncocked, with the firing pin spring in the resting position, i.e. not compressed.

19. B14 BMP MODEL

The BMP (Bergara Mach Precision) stock has been manufactured from aeronautic 7075 aluminum to ensure the correct performance during the use. This section contains the details you need to know about the BMP stock.

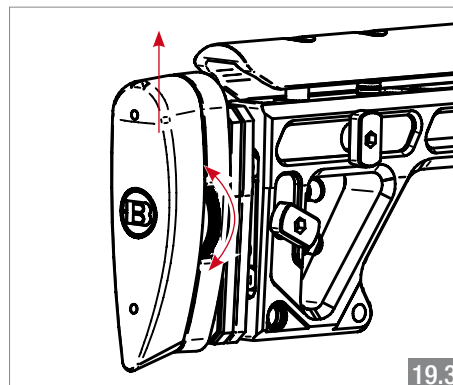
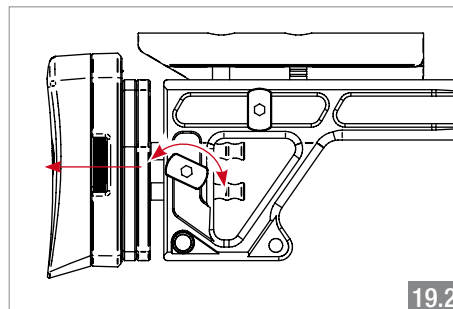
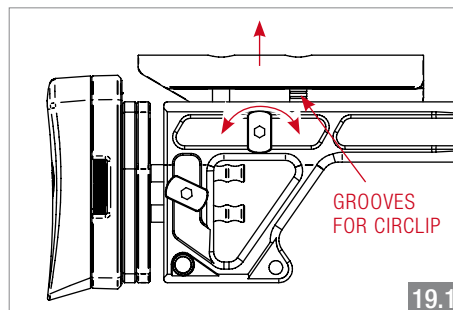
Stock regulation

BMP stock has 3 adjustment systems that allows the user to adapt it to physical complexion and the shooting position of the shooter.

- The check piece is easily adjustable in height. Turn the regulation screw to the left to free the check piece, move the check piece to the position needed and tighten screw to lock the system again. To place the check piece in the same position after pulling it completely out the front guide has groves for circlip. (Fig. 19.1)
- This rifle has 5 options for length of pull. Turn the regulation screw to the left to free the system, move the recoil pad to the best of 5 positions and then lock the system turning the regulation screw to the right. (Fig. 19.2)
- The orientation and height of the recoil pad can be adjusted for the user need. Turn the knob to the left to free the recoil pad, put it in the correct position and turn the screw to the right to lock the system again. (Fig. 19.3)

The BMP stock allows to assembly some AR-15 components on it:

- Grip.
- Rear (assembling an adapter).
- Many accessories (picatinny rails, bipod...)



19. B14 BMP MODEL

Loading the rifle

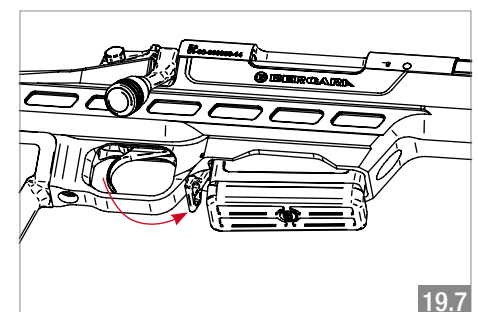
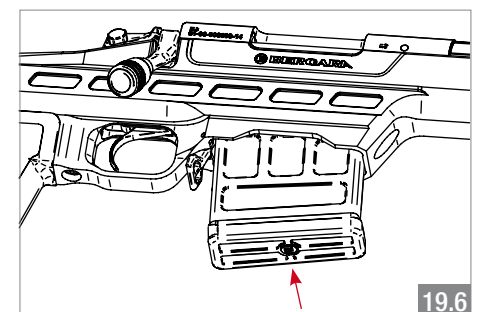
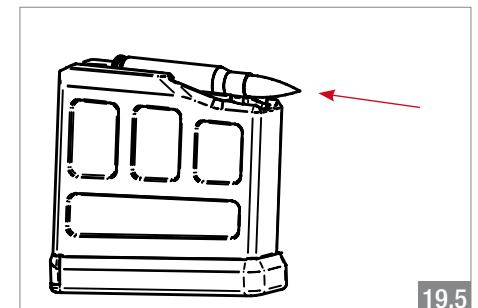
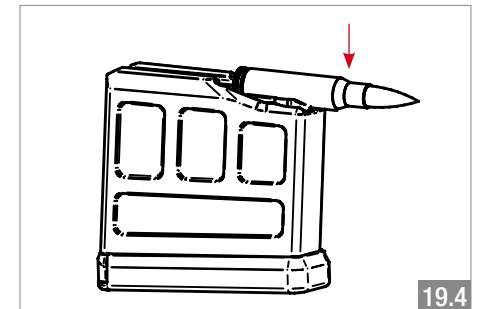
The B14 BMP magazine is loaded as follows:

- Load the magazine from the top with the correct ammunition. Push the cartridge down into the magazine (Fig. 19.4) and slide it completely to the rear (Fig. 19.5). Repeat this step until the magazine is full. The capacity of the magazine is 5 cartridges + 1 in the chamber. If these steps are not performed correctly you may have problems with the performance of the rifle.

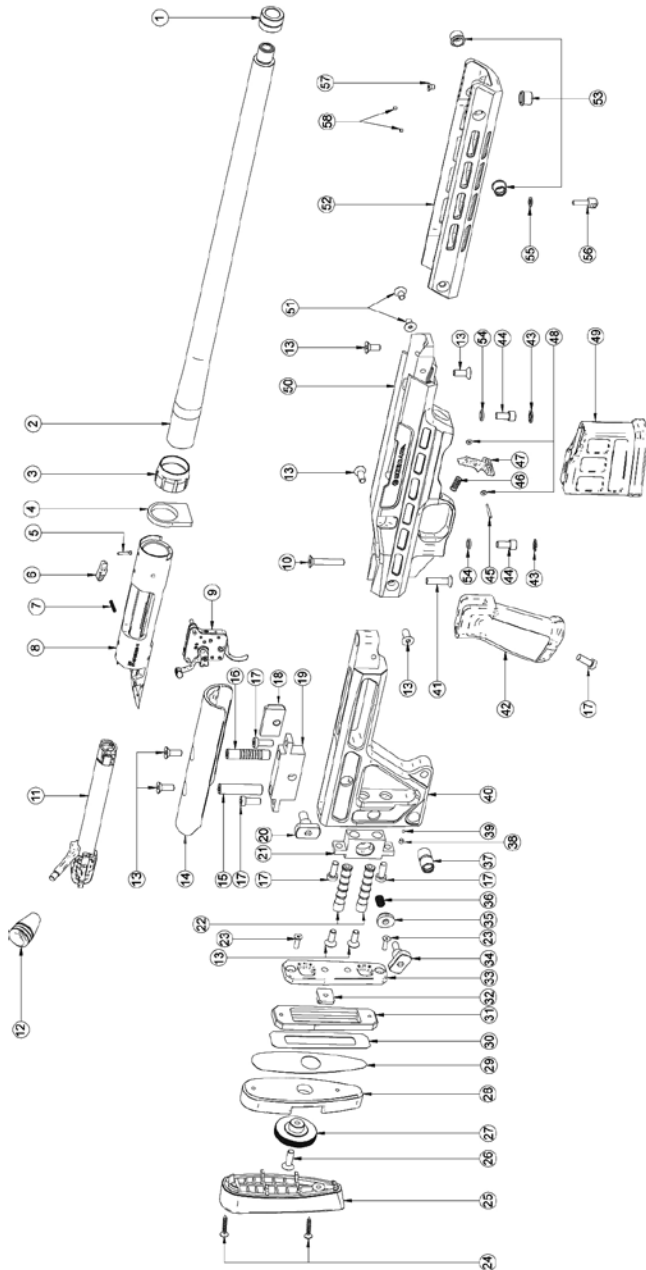
Safety advice:

Double check that the ammunition being loaded is the correct type. The barrel of the rifle has the caliber marked on the side. Shooting ammunition of a different caliber to that marked on the barrel is very dangerous and can cause very serious accidents.

- To install the magazine insert it completely into the magazine well. Rotate the magazine to the rear until you hear and feel the magazine catch lever engage. (Fig. 19.6)
- To release the magazine push the lever located at the front of the trigger guard. (Fig. 19.7)



20. B14 BMP DESCRIPTION

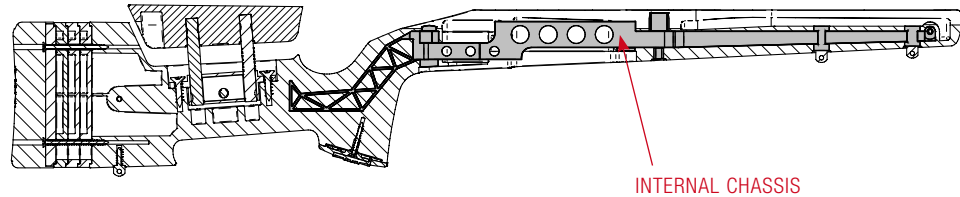


20. B14 BMP DESCRIPTION

ITEM N.	DESCRIPTION	ITEM N.	DESCRIPTION
1	Thread cup	30	Rubber sticker for guide
2	Barrel	31	Regulation knob guide
3	Barrel nut	32	Recoil pad regulation nut
4	Recoil lug	33	Guides support
5	Bolt catch screw	34	Recoil pad regulation screw
6	Bolt catch lever	35	Recoil pad regulation nut
7	Bolt catch spring	36	Recoil pad regulation spring
8	Receiver	37	Sling swivel
9	Trigger mechanism	38	Threaded pin
10	Stock screw	39	Ball
11	Bolt body assembly	40	Rear part
12	Bolt knob	41	Fixing screw
13	Check piece screw	42	Pistol grip
14	Check piece	43	Screw stop
15	Check piece rear guide	44	Fixing screw
16	Check piece front guide	45	Lever pin
17	Support fastening screws	46	Lever spring
18	Check piece regulation nut	47	Lever
19	Check piece guides support	48	Lever ring
20	Check piece regulation screw	49	Magazine
21	Support for recoil pad guides	50	Central part
22	Recoil pad guide	51	Fixing screw
23	Fixing screw	52	Forehand
24	Recoil pad screw	53	Sling swivel
25	Recoil pad	54	Washer
26	Recoil pad regulation screw	55	Plastic washer
27	Recoil pad regulation knob	56	Front sling swivel
28	Recoil pad support	57	Sling swivel screw
29	Rubber sticker for support	58	Threaded pin

21. B14 HMR MODEL

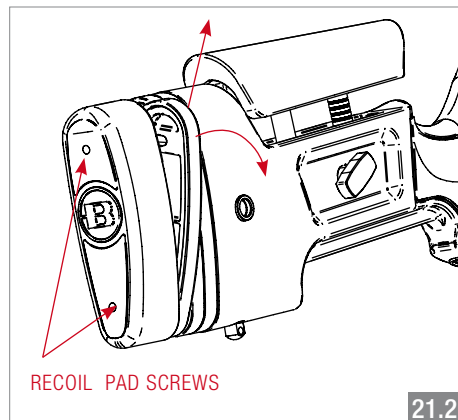
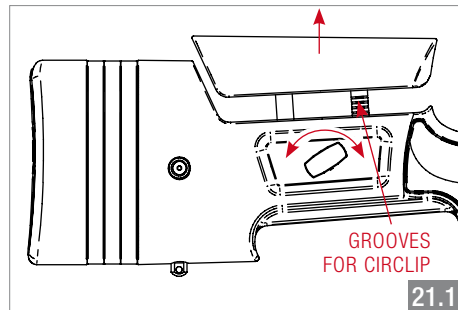
The HMR (Hunting Mach Rifle) rifle with its internal aluminum skeleton stock is the perfect gun for long range hunting, long range target shooting and competition use. This section contains the details you need to know about the HMR stock.



Stock regulation

HMR stock has length regulation and check piece regulation system that allows the user to adapt it to the physical complexion and shooting position of the shooter.

- The check piece is easily adaptable in height. Turn the regulation screw to the left to free the check piece, move the check piece to the position needed and turn right the screw to tie the system again. To place the check piece in the same position after pulling it completely out the front guide has grooves for circlip. (Fig. 21.1)
- This rifle has 4 options of length. You can take out spacers to make it shorter or you can add them to make the stock longer. Untie recoil pad screws until the spacers are free, turn the spacers to take them out and tie the screws again (Fig. 21.2)



21. B14 HMR MODEL

Loading the rifle

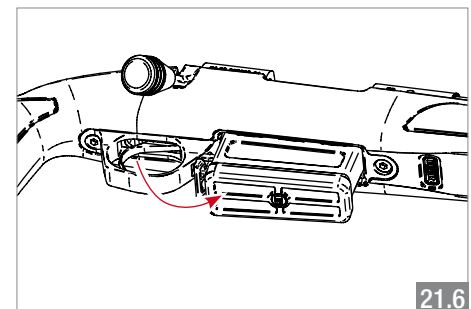
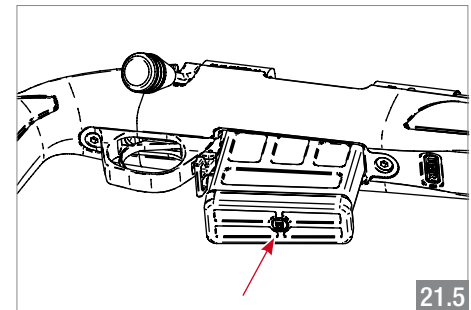
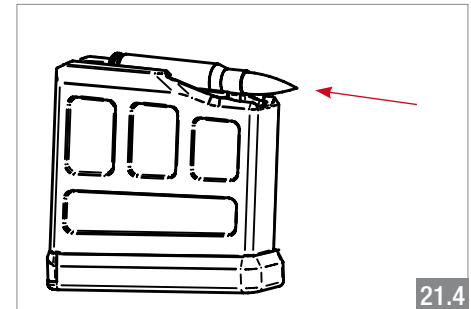
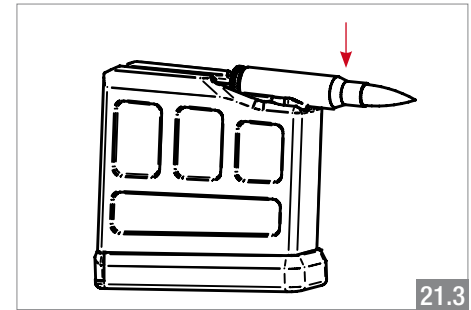
The B14 HMR magazine is loaded as follows:

- Load the magazine from the top side with the correct ammunition. Push the cartridge down into the magazine (Fig. 21.3) and slide it completely to the rear (Fig. 21.4). Repeat this step until the magazine is full. The capacity of the magazine is 5 cartridges + 1 in the chamber. If these steps are not performed correctly you may have problems with the performance of the rifle.

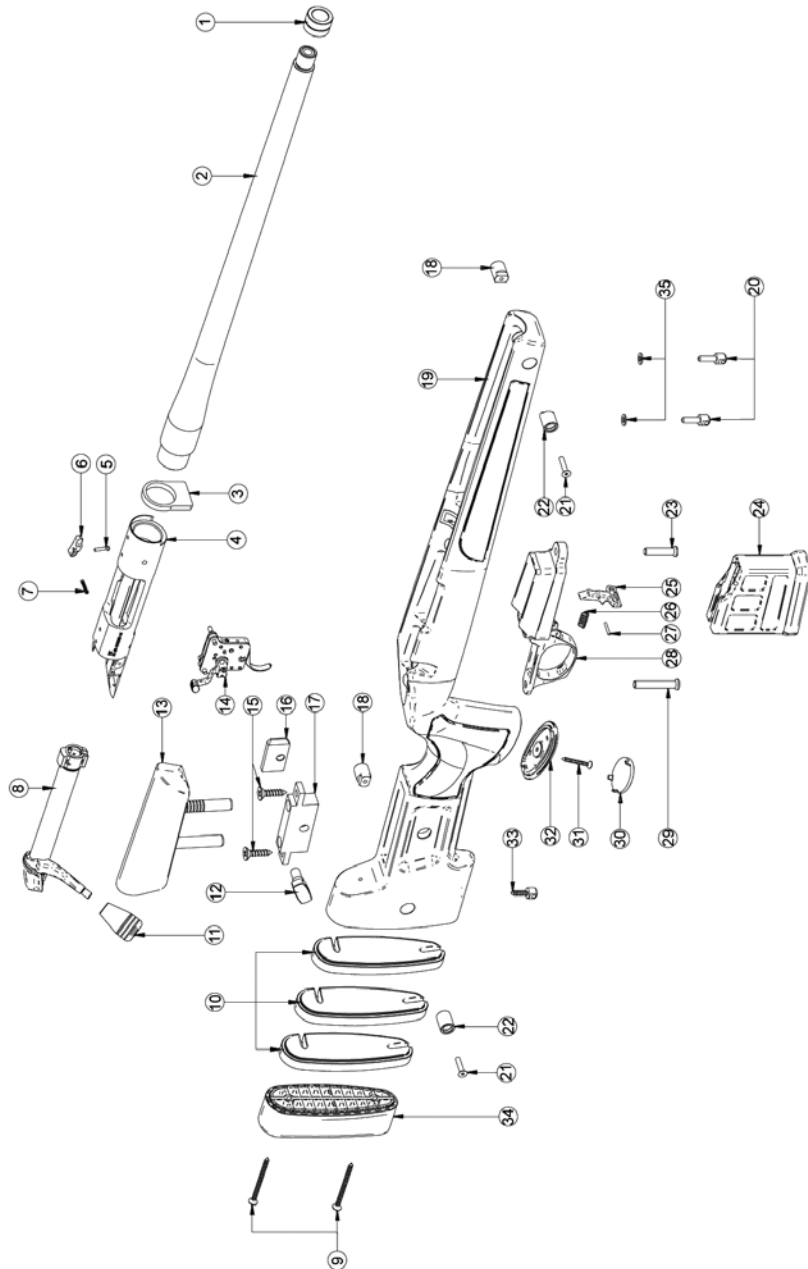
Safety advice:

Double check that the ammunition being loaded is the correct type. The barrel of the rifle has the caliber marked on the side. Shooting ammunition of a different caliber to that marked on the barrel is very dangerous and can cause very serious accidents.

- To install the magazine insert it completely into the magazine well. Rotate the magazine to the rear until you hear and feel the magazine catch lever engage. (Fig. 21.5)
- To release the magazine, push the lever located on the rear side of the trigger guard. (Fig. 21.6)



22. B14 HMR DESCRIPTION



22. B14 HMR DESCRIPTION

ITEM N.	DESCRIPTION	ITEM N.	DESCRIPTION
1	Thread cup	19	Stock
2	Barrel	20	Front sling swivel
3	Recoil lug	21	Sling swivel screw
4	Receiver	22	Right sling swivel
5	Bolt catch screw	23	Stock front screw
6	Bolt catch lever	24	Magazine
7	Bolt catch spring	25	Lever
8	Bolt body assembly	26	Lever spring
9	Recoil pad screw	27	Lever pin
10	Recoil pad spacers	28	Trigger guard
11	Bolt knob	29	Stock rear screw
12	Check piece regulation screw	30	Shield cover
13	Check piece	31	Shield fixing screw
14	Trigger mechanism	32	Shield
15	Support screw	33	Rear sling swivel
16	Check piece regulation nut	34	Recoil pad
17	Support for the guide	35	Plastic washer
18	Left sling swivel		

23. FAQs, CAUSES AND SOLUTIONS

PROBLEM	CAUSE	SOLUTION
The firearm is loaded, I pull the trigger but the shot doesn't fire	Defective ammunition	Try with different ammunition
	The firing pin does not go out far enough or it does with little force	Contact Bergara Customer Service
	Broken firing pin	
The cartridge does not fit in the chamber	Ammunition incorrect caliber	Make sure the ammunition is the correct calibre
	The case is stuck	Very carefully remove the lodged casing
	Something is obstructing the chamber or chamber is very dirty	Carefully clean the chamber
	Chamber is damaged	Contact Bergara Customer Service
I can't lower the bolt handle	Chamber dirty (casing residual...)	Clean it, If not resolved, contact Bergara Customer Service
	You have used different caliber ammunition	Use correct ammunition
	Ejector locked, rigid	Apply oil, move by hand. If not resolved, contact Bergara Customer Service
The rifle fires when closing the bolt	Damaged trigger or improper trigger adjustment	Stop immediately, very dangerous
The rifle fires when safety catch on	Be careful! Very dangerous. Defective trigger	Contact Bergara Customer Service
The rifle has been fired but the casing doesn't eject	The extractor does not work properly	Contact Bergara Customer Service
		Check that the extractor "springs" correctly
		Check that the extractor is not broken
		If it is either of these things, return the rifle to the factory
	Defective casing	Try with different ammunition
	Chamber damaged	Contact Bergara Customer Service

23. FAQs, CAUSES AND SOLUTIONS

PROBLEM	CAUSE	SOLUTION
I cannot insert the cartridges into the magazine	Follower incorrectly positioned	Position the follower correctly
	Cartridges wrongly inserted	When inserting the cartridge you must ensure that the base touches the back part of the magazine. That is, the cartridge must be pushed downwards and backwards as shown on p. 8 of this manual
	Incorrect calibre of ammunition	Make sure the calibre corresponds to the barrel
The rifle fired, the casing extracted but wasn't expelled	Dirt or rust in the ejector	Clean adequately and lubricate the area
	The ejector does not work properly	Check that the ejector "springs" correctly and isn't blocked Check that the extractor operates correctly If either of these things doesn't work, contact Bergara Customer Service
I cannot open the floorplate of the magazine	Dirty or poorly maintained	Clean, then lubricate the area with spray-on oil
I cannot close the floorplate of the magazine	Damage in follower or spring	Contact Bergara Customer Service
The rifle does not feed the cartridges from the magazine	Dirty or poorly maintained	Clean, then lubricate the area with spray-on oil
	Damage in follower or spring	Contact Bergara Customer Service
	Cartridges wrongly inserted in magazine	Remove the cartridges and reload the magazine making sure that the bullets are correctly inserted according to p. 8 of this manual
	Damage in follower or spring	Contact Bergara Customer Service

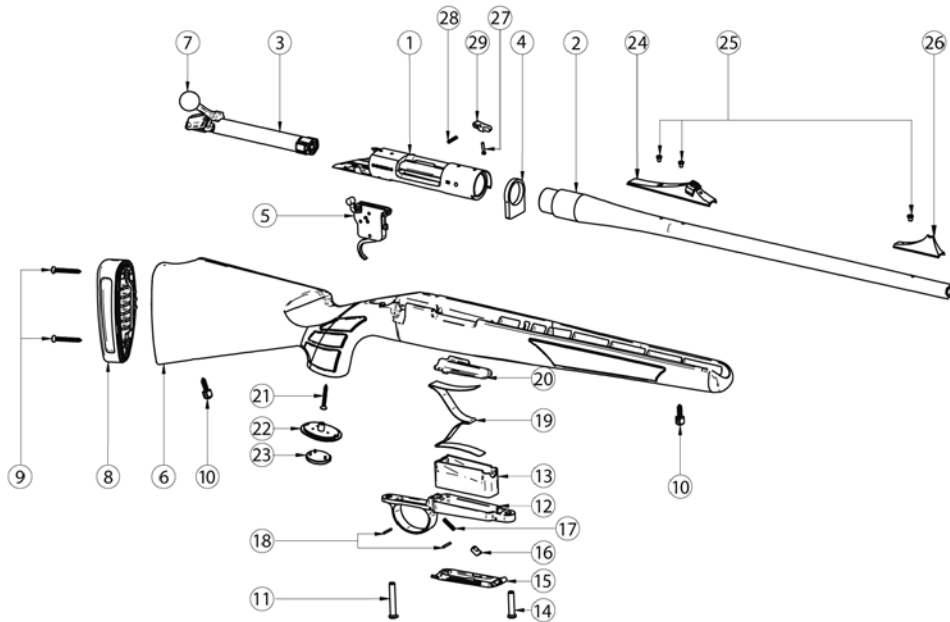
23. FAQs, CAUSES AND SOLUTIONS

PROBLEM	CAUSE	SOLUTION
The bolt comes out without pressing the bolt stop	The bolt stop or spring is broken	Contact Bergara Customer Service
Rear cap rotated	Accidental turning when the bolt is back or removed	Rotate the cap into position by hand
The trigger is very stiff	Improperly adjusted, dirty or poorly maintained	Adjustment of the trigger by a qualified gunsmith or contact Bergara Customer Service
The bolt movement is very stiff	Dirt, inadequate lubrication	Remove the bolt and carefully clean the bolt and action
	Bolt damaged	Contact Bergara Customer Service
My rifle is rusting	Inadequate maintenance of the rifle	Remove Rust and then oil or Contact Bergara Customer Service
It is difficult to raise the bolt handle	Dirty or poorly maintained	Clean and lubricate adequately
	Inappropriate ammunition that causes overpressure	Use commercial ammunition
	Problem in the rifle mechanism	Contact Bergara Customer Service
The ball of the bolt handle is loose	Broken thread	Contact Bergara Customer Service
	Loose from its housing	Use a thread locking product to reseal the ball

23. FAQs, CAUSES AND SOLUTIONS

PROBLEM	CAUSE	SOLUTION
The rifle does not group my shots	Inappropriate ammunition	Try with different ammunition
	Reloaded ammunition	
	Have you dropped the rifle?	Check the condition of the weapon and the scope. If everything is OK and it doesn't group, return to the factory for damage assessment and warranty
	Dirt or rust in the barrel (especially near the muzzle)	Clean the barrel properly according to this instruction book
	Dirt in the chamber	
	Scope badly fitted (base, rings, display)	Ensure that the sighting systems are properly fitted with a 7 Nm torque
	Blow to the muzzle (crowning)	Contact Bergara Customer Service
	Accessories fitted on the barrel (except open sights or scope)	Remove the accessories that have been fitted to the barrel
	Barrel is touching the stock	Contact Bergara Customer Service
	The stock is badly fitted	Ensure that the screws are secure
	The trigger release is very stiff	Contact Bergara Customer Service
	Chamber damaged	
Defective closure bolt-action-barrel		

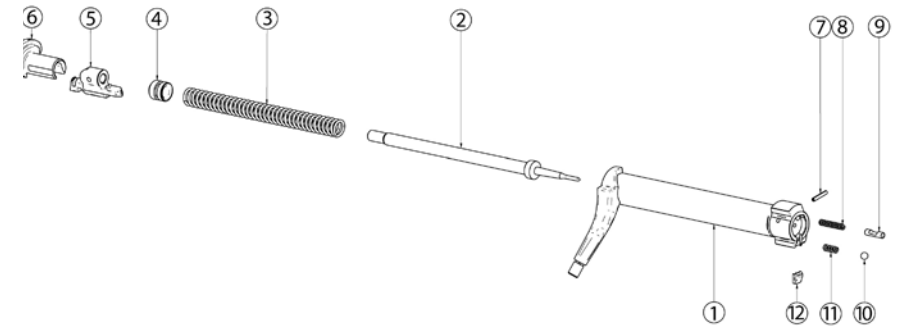
24. GENERAL DESCRIPTION



ITEM N.	DESCRIPTION	ITEM N.	DESCRIPTION
1	Receiver	16	Magazine opening button
2	Barrel	17	Opening button spring
3	Bolt body assembly	18	Trigger guard lock pins
4	Recoil lug	19	Magazine spring
5	Trigger mechanism	20	Follower
6	Stock	21	Shield fixing screw
7	Bolt knob	22	Shield
8	Recoil pad	23	Shield cover
9	Recoil pad screws	24*	Rear sight
10	Sling swivel	25*	Sight screws
11	Stock rear screw	26*	Front sight
12	Trigger guard	27	Bolt catch screw
13	Magazine	28	Bolt catch spring
14	Stock front screw	29	Bolt catch lever
15	Magazine tray		

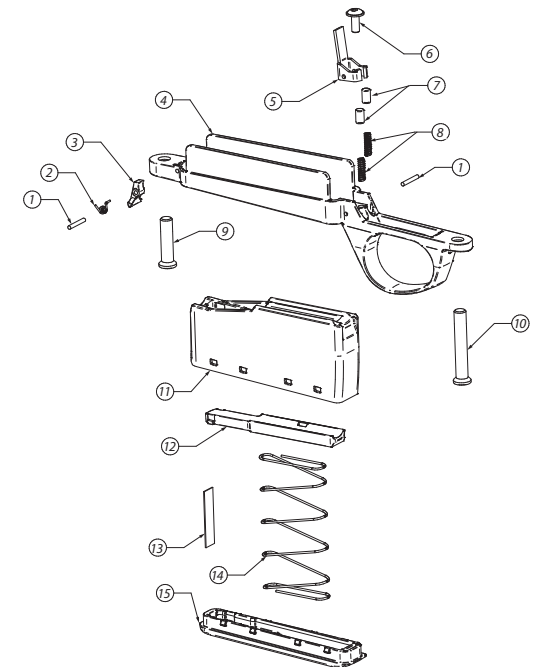
* Sights are only available in Europe

24. GENERAL DESCRIPTION



ITEM N.	DESCRIPTION	ITEM N.	DESCRIPTION
1	Bolt body	7	Ejector pin
2	Firing pin	8	Ejector plunger spring
3	Firing pin spring	9	Ejector
4	Firing pin bushing	10	Extractor ball
5	Firing pin lock	11	Extractor spring
6	Firing pin shroud	12	Extractor

ITEM N.	DESCRIPTION
1	Trigger guard lock pins
2	Lever spring
3	Magazine clamping lever
4	Magazine trigger guard
5	Magazine pushing plate
6	Regulation screw
7	Pushing pin
8	Pushing spring
9	Stock front screw
10	Stock rear screw
11	Magazine body
12	Follower
13	Magazine sheet of metal
14	Magazine spring
15	Magazine plate



25. WARRANTY

Please address your warranty concerns electronically to: **Info@bergararifles.com**
For USA /Canada: **contact@bergarausa.com**

Or by mail to:

DIKAR S. Coop
Ugarte, 26
20570 Bergara - Gipuzkoa (Spain)

Bergara North America
BPI Outdoors
1270 Progress Center Ave. Suite 100
Lawrenceville, GA 30043

The Bergara B14 rifle is warranted to be free from manufacturers defects for the life of the gun. This warranty is to the original purchaser and is not transferable. This warranty does not cover normal wear and tear, finish of metal or wood, abuse or misuse, damage to property, cost of inconvenience or loss of use.

This warranty gives you certain legal rights and you may have other rights which vary from state to state or country to country. Apart from the assumptions of cancellation of warranty mentioned in the different sections of this manual, below will also void the warranty:

- Unauthorized modifications and/or repairs.
- Rifle returned in neglected conditions (dirty, corroded, etc.).
- Use of improper ammunition (e.g. military ammunition, reloaded ammunition, ammunition un authorized by CIP or SAAMI).
- Damages which result from not following the instructions given in this manual.

The rifle is identified by its serial number on the side of the receiver.

IMPORTANT: In case of return, make sure that the rifle is unloaded!!



CUSTOMER SERVICE:

BERGARA

DIKAR S. Coop
Ugarte, 26
20570 Bergara - Gipuzkoa (Spain)
Tel.: +34 943 769 893
info@bergararifles.com
www.bergararifles.com
Facebook: Bergara Rifles Europe
Youtube: bergarainternational

CUSTOMER SERVICE USA/CANADA:

Bergara North America
BPI Outdoors
1270 Progress Center Ave. Suite 100
Lawrenceville, GA 30043
800 320-8767
www.bergarausa.com
contact@bergarausa.com
Facebook: Bergara USA
Youtube: Bergara US



1. Introducción		36
2. Seguridad en general		37-39
3. Antes de disparar el rifle		39
4. Cargar el rifle		40
5. Carga de la munición con cargador extraíble		40
6. Funcionamiento del sistema de cargador extraíble		41
7. Montaje del kit cargador extraíble		41
8. Disparar el rifle		42-43
9. Rodaje del cañón		44
10. Extracción de una bala atascada en el ánima del cañón		44
11. Uso de munición militar		44
12. Ajuste del peso del gatillo		45
13. Prueba de seguridad de gatillo		46
14. Desmontaje del arma para su limpieza		46
15. Montaje de la mira telescópica		46-47
16. Desmontaje del arma para su limpieza		47
17. Limpieza y mantenimiento		48-49
• Cañón	48	
• Carcasa (acción) y cerrojo	49	
• Culata y guardamanos	49	
18. Almacenamiento		49
19. B14 modelo BMP		50-51
• Regulación de la culata	50	
• Carga del rifle	51	
20. Descripción B14 modelo BMP		52-53
21. B14 modelo HMR		54-55
• Regulación de la culata	54	
• Carga del rifle	55	
22. Descripción B14 modelo HMR		56-57
23. Preguntas más frecuentes, causas y soluciones		58-61
24. Descripción general		62-63
25. Garantía		64

1. INTRODUCCIÓN Y SEGURIDAD GENERAL

Gracias por comprar un rifle de acción de cerrojo Bergara B14.

Esperamos que este rifle cumpla sus expectativas, le sea útil para sus fines y le proporcione años de satisfacción.

Lea este manual. Hay muchas características a las que se debe familiarizar el usuario para utilizar el arma de manera segura.

El futuro de los deportes de tiro depende de usted.

Los accidentes, el mal uso de las armas de fuego, etcétera, se consideran razones para prohibir los deportes de tiro en general y de armas en particular.

Sea responsable, busque siempre la seguridad y preste atención a los consejos sobre seguridad de otros compañeros tiradores.

Si después de leer las instrucciones, advertencias y riesgos detallados en este manual usted no está dispuesto a aceptar la responsabilidad que supone manipular y disparar un arma de forma segura, devuelva el arma al lugar donde la compró.

¡Deben tenerse en cuenta todas las medidas de seguridad para que la utilización del arma sea segura!

2. SEGURIDAD EN GENERAL

10 Reglas de seguridad para el manejo de su arma

- 1 Mantenga siempre la boca del rifle apuntando en una dirección segura, aunque el rifle esté descargado.
- 2 Esté seguro de su objetivo y de lo que hay detrás de él antes de apuntar a ningún sitio.
- 3 Nunca se fíe de la seguridad mecánica de un arma.
- 4 El arma debe estar descargada hasta el momento de su uso.
- 5 Use siempre protección ocular y auditiva.
- 6 El cañón debe estar libre de cualquier tipo de obstrucción antes de la carga y el disparo.
- 7 Maneje cada arma como si estuviera cargada.
- 8 Almacene las armas y la munición por separado y en un área cerrada con llave.
- 9 Evite el consumo de bebidas alcohólicas y drogas, antes y durante el uso de un arma.
- 10 No altere ni modifique su arma. Mantenga su arma revisada con regularidad por un armero competente. Asegúrese de que cada pieza funciona correctamente antes de cada uso.

2. CONSIDERACIONES DE SEGURIDAD PARA TODAS LAS ARMAS

- Nunca fume mientras dispara o maneja un arma o material relacionado. Las cenizas o las chispas pueden causar que la pólvora o los cartuchos prendan, provocando daños personales, incluso la muerte.
- Utilice siempre protección para los ojos. Es posible que salten partículas de la recámara o de la boca del arma cuando utilizamos cualquier rifle.
- Revise siempre el arma antes de usarla para asegurarse de que está en buen estado de funcionamiento. Pruebe el gatillo y el sistema de apertura cuidadosamente antes de la carga. Compruebe que el cañón no este obstruido. Cualquier obstrucción puede hacer que éste explote, causando graves lesiones o la muerte.
- Nunca cargue un arma hasta que esté listo para disparar. Hay que sacar el cartucho al caminar, al trepar árboles o cercas, al pasar el arma de una persona a otra, al saltar una pared o valla,...
- Nunca apoye un arma contra la pared, un árbol, un vehículo u otra superficie. La caída de un arma cargada puede provocar un disparo accidental del arma, causando graves lesiones o la muerte.
- Nunca transporte un arma cargada en ningún tipo de vehículo. Se considera que el arma está cargada mientras no se saque el cartucho de la recámara.
- Nunca guarde un arma cargada. El arma debe estar descargada y debemos limpiarla antes de cualquier almacenamiento.
- Nunca cargue un arma sin antes asegurarse de que el cañón está limpio y sin obstrucciones. Si el arma cae al suelo por accidente, comprobar que el cañón no ha quedado obstruido.
- Tenga mucho cuidado cuando cace desde un puesto de árbol. La caída accidental de un arma puede provocar un disparo, que puede causar graves lesiones o la muerte. Asegúrese de que el arma esta descargada antes de subir o bajar de un árbol.
- ¡Nunca se fie de la seguridad mecánica! Los aparatos mecánicos pueden fallar y de hecho lo hacen. Las armas siempre deben manipularse como si estuvieran listas para disparar, independientemente de la posición o la condición mecánica de la seguridad.
- Utilice siempre procedimientos de limpieza adecuados. Disparar un cañón con mal mantenimiento o con corrosión puede conducir a condiciones de presión peligrosas y/o hacer que el cañón explote causando lesiones graves o la muerte.
- Nunca apunte el cañón hacia algo que usted no quiera ver dañado. Al llevar el arma en el hombro asegúrese que la boca del cañón este mirando hacia arriba.
- No trate de modificar las partes internas de su arma. Si lo hace puede causar una situación peligrosa causando un disparo accidental del arma y causando graves lesiones o la muerte. Estas alteraciones, en general, anulan la garantía.
- No deje el arma sin vigilancia o al alcance de los niños. En algunos países está penado por la ley.

3. ANTES DE DISPARAR EL RIFLE

Familiarícese con el arma. Aprenda cómo funciona y cómo se utiliza sin munición. Recomendaciones antes de usar el rifle:

- El rifle viene embalado con el cerrojo desmontado de la acción. Antes de montar el cerrojo compruebe que el rifle esta descargado, es decir, que no haya ninguna vaina en la recámara u obstrucción en el cañón.
- Compruebe que no hay ningún cartucho en el cargador.
- Limpie el cañón por dentro según se indica en el apartado "limpieza y mantenimiento".
- Limpie el aceite sobrante del cerrojo y del área del receiver.
- Introduzca el cerrojo en su acción según se indica en el punto "desmontaje de los componentes del arma para su limpieza" de este manual.
- Compruebe el correcto funcionamiento del disparador accionándolo varias veces.
- Una vez realizados los pasos anteriores, puede usted cargar el arma como se indica en el siguiente punto de este manual.
- La primera vez que se dispara un rifle, se recomienda hacer el rodaje del cañón. El proceso se describe en el apartado "Rodaje del cañón".

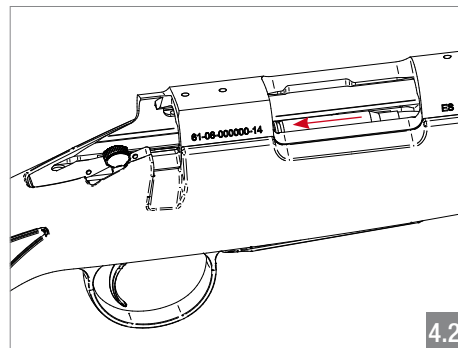
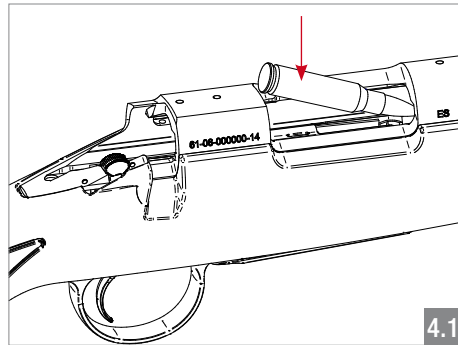
4. CARGAR EL RIFLE

El B14 se utiliza de la siguiente forma:

Cargue el cargador por la apertura superior de la acción con la munición correspondiente. Para ello, empuje el cartucho hacia abajo (Fig. 4.1). Una vez dentro, deslícelo hacia atrás (Fig. 4.2). La capacidad del cargador en los calibres estándar es de 4 + 1 cartucho en la recámara y en los magnum de 3 + 1 cartucho. Si no se ejecutan debidamente estas acciones pueden surgir problemas en el funcionamiento del arma.

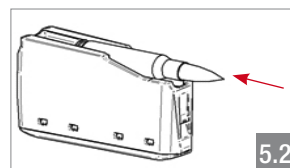
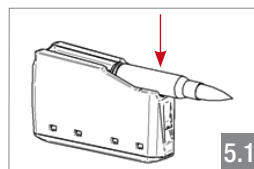
Consejo sobre seguridad:

Compruebe dos veces que la munición que está cargando es la correcta. El cañón del rifle tiene el calibre marcado en el lateral. Disparar munición de un calibre distinto al marcado en el cañón es muy peligroso y puede causar accidentes muy graves.



5. CARGA DE LA MUNICIÓN CON CARGADOR EXTRAÍBLE

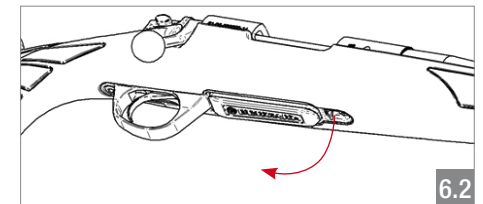
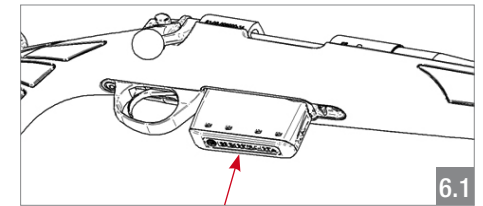
Cargue el cargador por la apertura superior con la munición correspondiente. Para ello, empuje el cartucho hacia abajo (Fig. 5.1). Una vez apoyado en el fondo, deslícelo hacia atrás (Fig. 5.2). La capacidad del cargador en los calibres estándar es de 3 cartuchos y en los magnum de 2 cartuchos. Si no se ejecutan debidamente estas acciones pueden surgir problemas en el funcionamiento del arma.



6. FUNCIONAMIENTO DEL SISTEMA DE CARGADOR EXTRAÍBLE

Para colocar el cargador en su posición, empujelo dentro del guardamonte hasta el fondo con la parte de la salida de munición hacia arriba. (Fig. 6.1)

Accionar la palanca situada en la parte delantera del guardamonte para liberar el cargador. (Fig. 6.2)

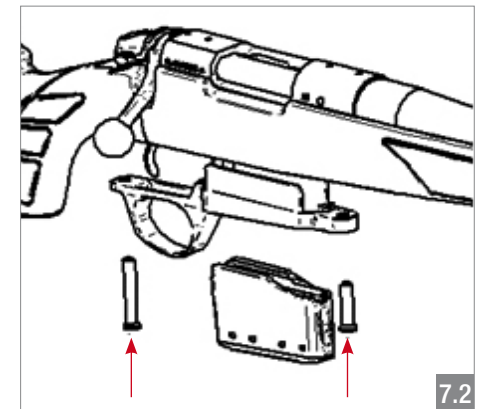
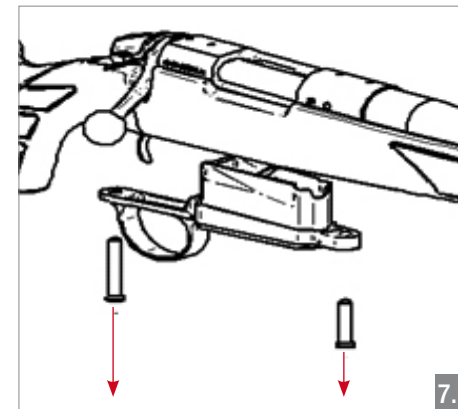


7. MONTAJE DEL KIT CARGADOR EXTRAÍBLE

El rifle B14 tiene disponible un kit de cargador extraíble para los rifles con bandeja de cargador. Para una buena colocación de este kit se recomienda seguir los siguientes pasos.

- Suelte los tornillos que sujetan el guardamonte y extráigalo con todas sus piezas. (Fig. 7.1)

- Coloque el guardamonte nuevo en la culata y átelo en el rifle con los tornillos que se le han proporcionado en este kit (Fig. 7.2). El par de apriete de estos tornillos es de 6.2Nm (55lbs in).
- Inserte el cargador en el guardamonte.



8. DISPARAR EL RIFLE

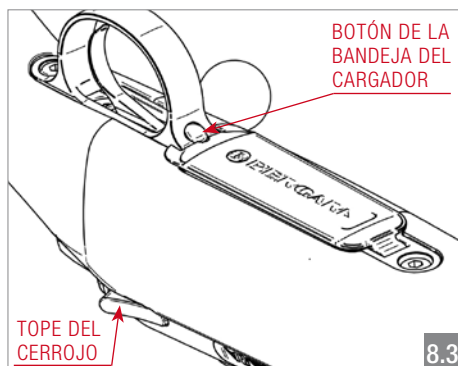
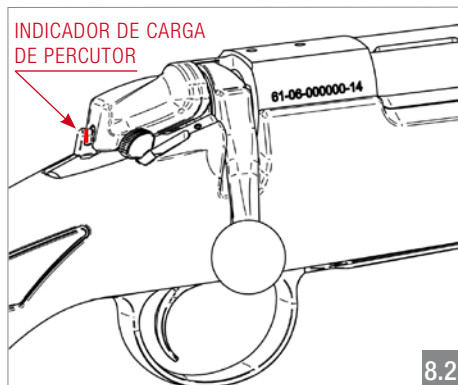
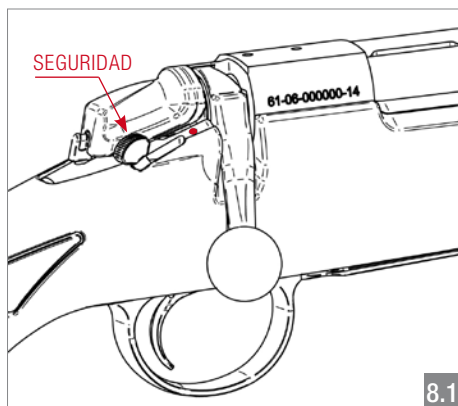
- Extraiga el cerrojo y asegúrese de que el arma está descargada. Compruebe también que nada obstruye el ánima. Asegúrese de que la bandeja del cargador está cerrada.
- El seguro del arma no se puede accionar si la palanca del cerrojo está en la posición inferior y el rifle sin amartillar, el rifle no está cargado. Una vez levantada la palanca del cerrojo ya puede poner el rifle en posición de seguro. Por lo tanto ponga el rifle en seguro una vez levantada la palanca del cerrojo y antes de introducir un cartucho en la recámara. El rifle se pone en posición de seguro tirando de la palanca hacia atrás, hacia el punto blanco. (Fig. 8.1)
- Cierre el cerrojo. Compruebe el indicador rojo del percutor cargado. (Fig. 8.2)

Consejos sobre seguridad:

Al cargar el arma asegúrese de bajar la palanca hasta el tope.

Si cierra el cerrojo y el indicador del percutor cargado no sobresale, no utilice el rifle. Lleve el arma a que la revise un armero cualificado o contacte con el **SAT de Bergara**.

- Cuando esté listo para disparar, quite el seguro (la palanca hacia adelante) y tire del gatillo con suavidad.

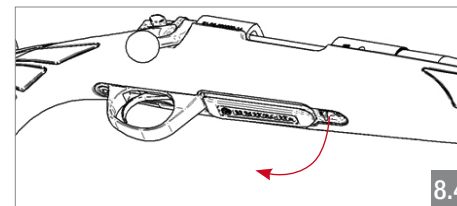


8. DISPARAR EL RIFLE

Consejos sobre seguridad:

Si al apretar el gatillo en un arma cargada el rifle no dispara, apunte el rifle a una dirección segura y espere 30 segundos antes de abrir el cerrojo. El cerrojo debe ser abierto con gran precaución.

Si se sospecha que se ha realizado un disparo defectuoso y que la bala no ha salido del cañón, proceda a quitar el cerrojo y a comprobarlo. Esta situación se puede producir porque la pólvora esté deteriorada, no quemándose o realizando una combustión parcial. En este caso lleve el arma a que lo revise un armero cualificado o contacte con el **Servicio de Asistencia Técnica de Bergara**.



- Una vez disparado, abra el cerrojo, tire hacia atrás hasta llegar al tope, luego empuje hacia delante y cierre el cerrojo. Asegúrese de que el arma expulsa la vaina usada. Es importante tirar del cerrojo hasta el tope y no un simple recorrido corto ya que se podría atascar el arma.
- Para vaciar el arma, extraiga el cerrojo de la carcasa y retire la munición pulsando el botón de la bandeja del cargador (Fig. 8.3) o extraiga el cargador extraíble (Fig. 8.4).
- Inspeccione que no hay ningún cartucho en la recámara.

9. RODAJE DEL CAÑÓN

Durante la fabricación, se crean imperfecciones microscópicas en el ánima del cañón. Estas imperfecciones, se pulen después de varias series de disparos. Si estas imperfecciones se eliminan correctamente, el cañón se ensuciará menos, se limpiará con más facilidad, será más uniforme y ganará en precisión.

El proceso de eliminación de dichas imperfecciones se denomina “rodaje del cañón”. El proceso consiste en disparar un tiro o una serie de ellos y luego limpiar el ánima.

Deje enfriar el cañón antes de empezar a limpiarla.

Proceso de rodaje recomendado:

- En los primeros 5 disparos limpie el arma en cada disparo.
- En los siguientes 50 disparos limpie el arma cada 10 disparos.
- En los disparos posteriores limpie el arma frecuentemente.

10. EXTRACCIÓN DE UNA BALA ATASCADA EN EL ÁNIMA

Consejo sobre seguridad:

No intente extraer la bala atascada con otro disparo posterior porque la presión creada puede destruir el arma hiriendo al tirador.

*Lleve el arma a que la revise un armero cualificado o contacte con el **Servicio de Asistencia Técnica de Bergara.***

11. USO DE MUNICIÓN MILITAR

La munición militar, como puede ser el 5,56 NATO y el 7,62 NATO, generalmente tiene un espesor mayor que la munición civil, como pueden ser el .222 Remington y el .308 Winchester. Existen otras diferencias en la toma de

estrías de la recámara y la presión con la que se suele cargar la munición. Por lo tanto, BERGARA y el Instituto de fabricantes de Armas Pequeñas y Municiones (SAAMI) recomendamos no utilizar munición militar en armas civiles.

12. AJUSTE DEL PESO DEL DISPARADOR

El B14 dispone de un mecanismo de gatillo totalmente ajustable.

El peso del gatillo predeterminado de fábrica es alrededor de 1 kg (2.2 lbs). El ajuste posible es aproximadamente desde 1 kg (2.2 lbs) a 2 kg (4.4 lbs) en todos los modelos.

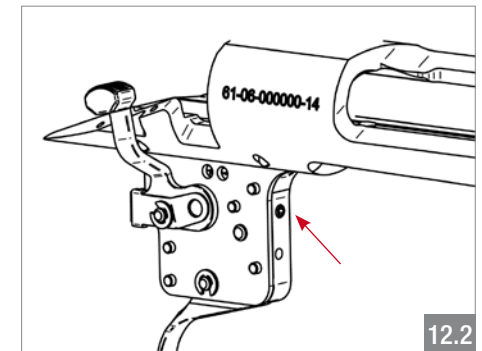
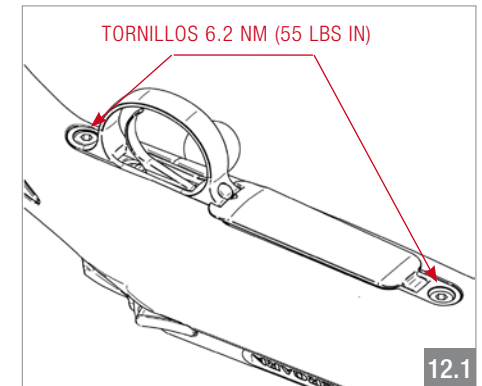
Consejos sobre seguridad:

No cambie el mecanismo de disparo por otro fabricado por una empresa diferente. Puede que encaje en su arma, pero es posible que no funcione adecuadamente ocasionando que ésta no sea segura. La sustitución del mecanismo de disparo anula la garantía.

El disparador solo debe ser ajustado por un armero cualificado o por la fábrica.

Para acceder al tornillo de ajuste, es necesario desmontar la culata. Para ello, suelte la bandeja del cargador y desatornille los tornillos del guardamonte (Fig. 12.1). Al quitar la culata, ésta se puede atascar en la carcasa y puede que desmontarla lleve un tiempo.

El tornillo regulador del peso del disparador (Fig. 12.2) ajusta la fuerza necesaria para tirar del disparador.



Consejo sobre seguridad:

El disparador solo debe ser ajustado por un armero cualificado o por la fábrica.

13. PRUEBA DE SEGURIDAD DEL DISPARADOR

Después de haber ajustado el disparador, se deberán realizar las siguientes pruebas:

- Cierre el cerrojo lo más rápidamente posible. El indicador del amartillado deberá permanecer visible. Si no es el caso contacte con el Servicio de Asistencia Técnica (SAT) Bergara.
- Compruebe el peso del disparador con una escala de peso. Si el peso del gatillo

es inferior a 1 kg (2,2 lbs), incremente el peso del gatillo.

- Simule un tiro y realice un ciclo entero. El indicador rojo del amartillado deberá estar visible. Si no es así, contacte con el servicio técnico.

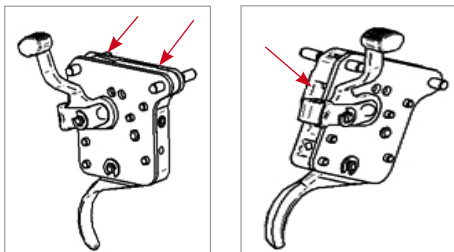
Consejo sobre seguridad:

Nunca realice estas pruebas con el arma cargada.

14. MANTENIMIENTO DEL DISPARADOR

Se debe lubricar periódicamente el disparador para una adecuada conservación del mismo.

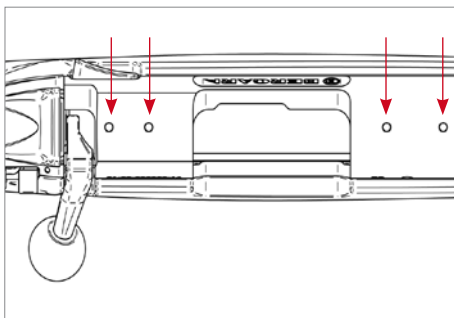
Se recomienda rociar con un lubricante líquido fino y no emplear lubricantes solidos como la vaselina.



15. MONTAJE DE LA MIRA TELESCÓPICA

La carcasa tiene 4 orificios roscados. Los raíles comerciales válidos para el Remington® 700™ encajan en el BERGARA B14. Utilice unas anillas adecuadas en altura.

Al instalar el raíl o la anilla de mira, se recomienda utilizar un producto de bloqueo de rosca comparable con Loctite® 242. Esto evitará que la mira se afloje por el retroceso con el paso del tiempo.



15. MONTAJE DE LA MIRA TELESCÓPICA

Para instalar la mira, siga las instrucciones facilitadas por el fabricante de miras.

Asegúrese de que utiliza los tornillos de longitud apropiada para fijar los raíles. Los tornillos no deben sobresalir en la parte interior de la carcasa. Normalmente los dos tornillos delanteros suelen ser más largos que los traseros. El intercambio de la posición de los tornillos puede producir problemas en el funcionamiento del arma

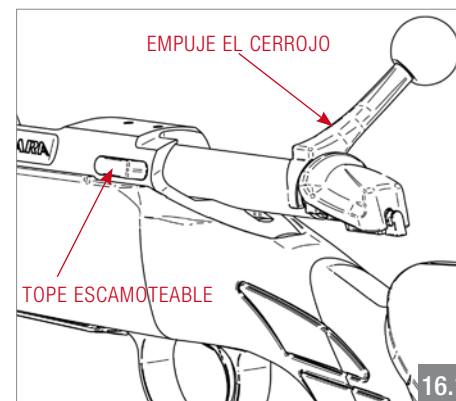
Consejo sobre seguridad:

Dispare siempre con gafas de protección. No instale la mira demasiado cerca del ojo. Debido al retroceso la mira puede golpear la cara del tirador y lesionarle. Como consejo práctico, compruebe que el puño del tirador cabe entre el ojo y la mira telescópica. Si la distancia ocular de las miras es demasiado corta, cámbiela por una con mayor distancia ocular.

16. DESMONTAJE DEL ARMA PARA SU LIMPIEZA

Al desmontar el arma para su limpieza o inspección, siga los siguientes pasos (Fig. 16.1):

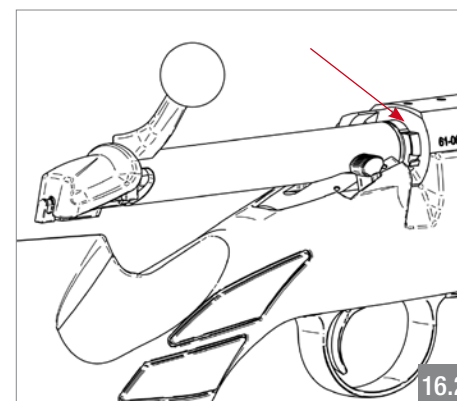
- Vacíe el arma soltando la bandeja del cargador o quite el cargador extraíble.
- Coloque el cerrojo unos 25 mm. (1 pulgada) antes de su tope.
- Presione el desbloqueo del tope escamoteable y retire el cerrojo.



• Verifique que no haya munición, mirando el interior del cañón desde el lado de la recámara.

Para montar el arma desmontada (Fig. 16.2):

- Presione el desbloqueo de tope escamoteable e inserte el cerrojo. Gire el cerrojo hasta que se alinee con el canal.
- Compruebe que la bandeja del cargador está cerrada; si no lo está ciérrela.



17. LIMPIEZA Y MANTENIMIENTO

En general, el B14 es un arma de fácil mantenimiento. En esta sección encontrará toda la información necesaria para mantener el rifle a punto.

Tras realizar un disparo con el rifle, si no se limpia adecuadamente antes de 24 horas la corrosión empieza a aparecer en algunos componentes del arma. En entornos húmedos la aparición de la corrosión es aún más probable que en condiciones normales.

Por lo tanto, se recomienda limpiar las siguientes piezas con regularidad, sobre todo después de un día de caza o en el campo de tiro (consulte siempre las instrucciones facilitadas por el fabricante de los productos químicos utilizados):

Cañón

La alta calidad del cañón Bergara de su rifle necesita el cuidado adecuado para mantener la precisión. Debería seguir los siguientes consejos:

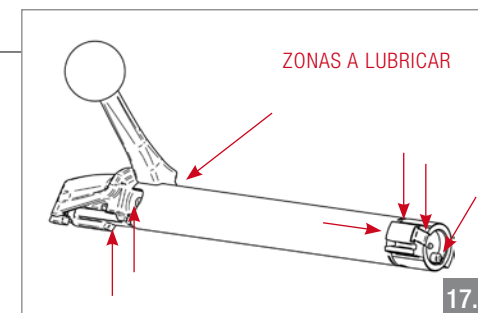
- El sentido de limpieza correcto es desde la recámara hasta la punta del cañón. Limpiar el cañón en sentido contrario afecta seriamente a la precisión.
- Si es posible, utilice una varilla de limpieza de calidad de una sola pieza para evitar dañar el ánima.
- Utilice productos de limpieza adecuados para ayudar a alargar la vida del cañón.
- Intente evitar que se acumule demasiado cobre en el ánima. Reducirá la precisión de manera importante.
- Se recomienda el uso de un cepillo de alta calidad para limpiar el ánima. No utilice cepillos de acero inoxidable.
- Es muy recomendable limpiar también la recámara. Utilice un cepillo adecuado.
- Después de limpiar el ánima, aplique un parche (un cuadrado de tela) empapado con aceite para armas para evitar la oxidación. Pase un parche seco antes de disparar para retirar el aceite y no dañar el ánima.

Importante: los restos de aceite dentro del cañón en el momento del disparo pueden causar sobrepresión.

- Revise periódicamente que la punta del cañón (crowning) no esté dañada, ya que afecta seriamente a la precisión.

Carcasa (acción) y cerrojo

- Limpie el cerrojo completo y el interior de la carcasa con un paño impregnado de un producto adecuado para eliminar los residuos.
- Con un cepillo, limpie la cara del cerrojo y el extractor. Limpie también el área expuesta del mecanismo de disparo y los tetones del cabezal del cerrojo.



- Se debe lubricar o engrasar el cuerpo del cerrojo, los tetones, el canal del amartillado y el fiador. Periódicamente se deberá echar una gota de aceite adecuado en el expulsor y el extractor (Fig. 17.1 y 17.2) hasta obtener una finísima película de aceite.



Culata

- Se puede utilizar una brocha fina para eliminar el polvo del exterior.
- La culata sintética se puede limpiar fácilmente con un paño de microfibra humedecido.
- La culata de madera ha sido tratada con aceite en fábrica. Normalmente solo es necesario secarla después de su uso, aunque para conservarla en buen estado es conveniente repararla ocasionalmente con un buen aceite para culatas.
- Después de limpiar, engrase todas las piezas metálicas expuestas del rifle.

18. ALMACENAMIENTO

- Guarde el arma en una caja fuerte, incluyendo algún método para reducir la humedad relativa dentro de la misma.
- De vez en cuando, retire el arma de su lugar de almacenamiento y límpiela.
- Siga las normas legales de almacenamiento de armas.
- Si va a tener el arma durante un tiempo prolongado en el armero guárdelo sin amartillar, con el muelle del percutor en posición de descanso, que no esté comprimido.

19. B14 MODELO BMP

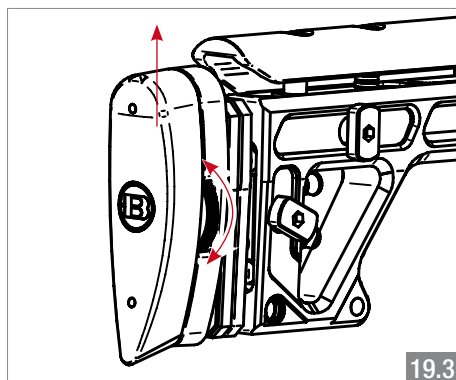
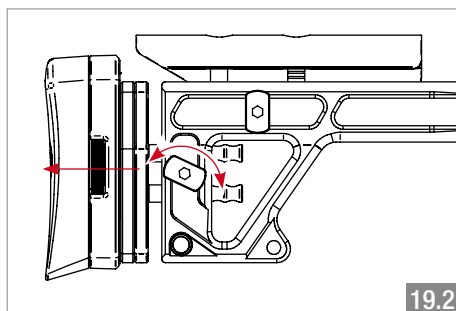
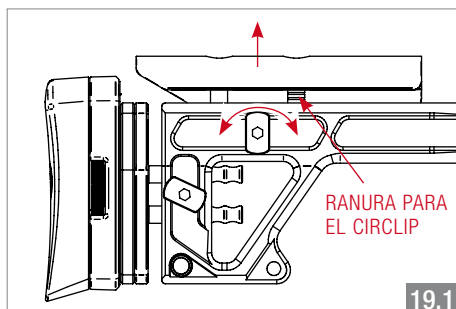
La culata BMP (Bergara Mach Precision) está fabricada con aluminio aeronáutico del tipo 7075 para garantizar un comportamiento impecable durante su uso. En este apartado encontrará los detalles que debe saber sobre el funcionamiento de esta culata.

Regulación de la culata

La culata BMP está equipada con 3 sistemas de regulación que permiten al usuario adaptarlo a su complejión física y a su posición de tiro.

- La carrillera se puede ajustar en altura muy fácilmente. Gire el tornillo de regulación hacia la izquierda para liberar la carrillera, muévala hasta la altura deseada y por último gire el tornillo de regulación hacia la derecha para fijar la carrillera en su sitio. La guía delantera consta de ranuras para poder emplear arandelas circlip y así asegurar que la posición de la carrillera siempre será la misma al montarla después de haberla desmontado completamente. (Fig. 19.1)
- Este rifle se puede ajustar en 5 longitudes diferentes. Gire el tornillo de regulación hacia la izquierda para liberar el sistema, mueva la cantonera hasta una de esas posiciones y gire el tornillo hacia la derecha para fijarlo de nuevo. (Fig. 19.2)
- La cantonera se puede girar y regular en altura según la necesidad del usuario. Gire la ruleta hacia la izquierda para liberarlo, posiciónelo según sea necesario y gire la ruleta hacia la derecha para bloquear la cantonera de nuevo. (Fig. 19.3)

La culata BMP ofrece la posibilidad de incorporar elementos del AR-15:



- Empuñadura.
- Parte trasera (mediante un adaptador).
- Accesorios diversos (railes picatinny, bipodes...)

19. B14 MODELO BMP

Carga del rifle

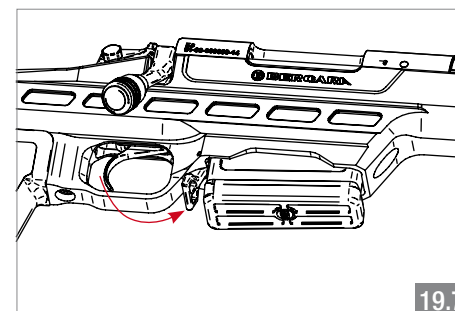
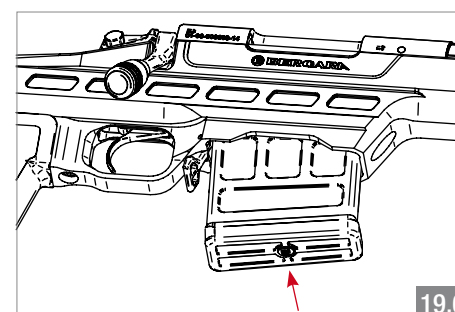
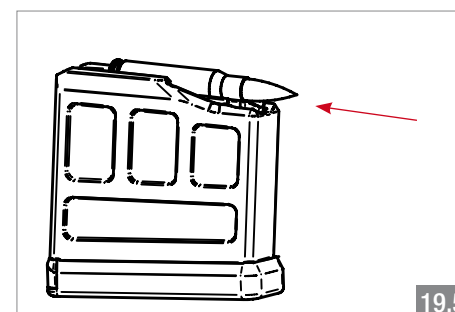
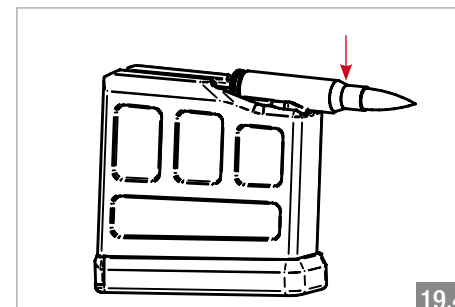
El cargador de la culata BMP se carga de la siguiente forma:

- Alimente el cargador por la apertura superior con la munición correspondiente. Para ello, empuje el cartucho hacia abajo (Fig. 19.4). Una vez apoyado en el fondo, deslícelo hacia atrás (Fig. 19.5). La capacidad del cargador es de 5 cartuchos + 1 en la recámara. Si no se ejecutan debidamente estas acciones pueden surgir problemas en el funcionamiento del arma.

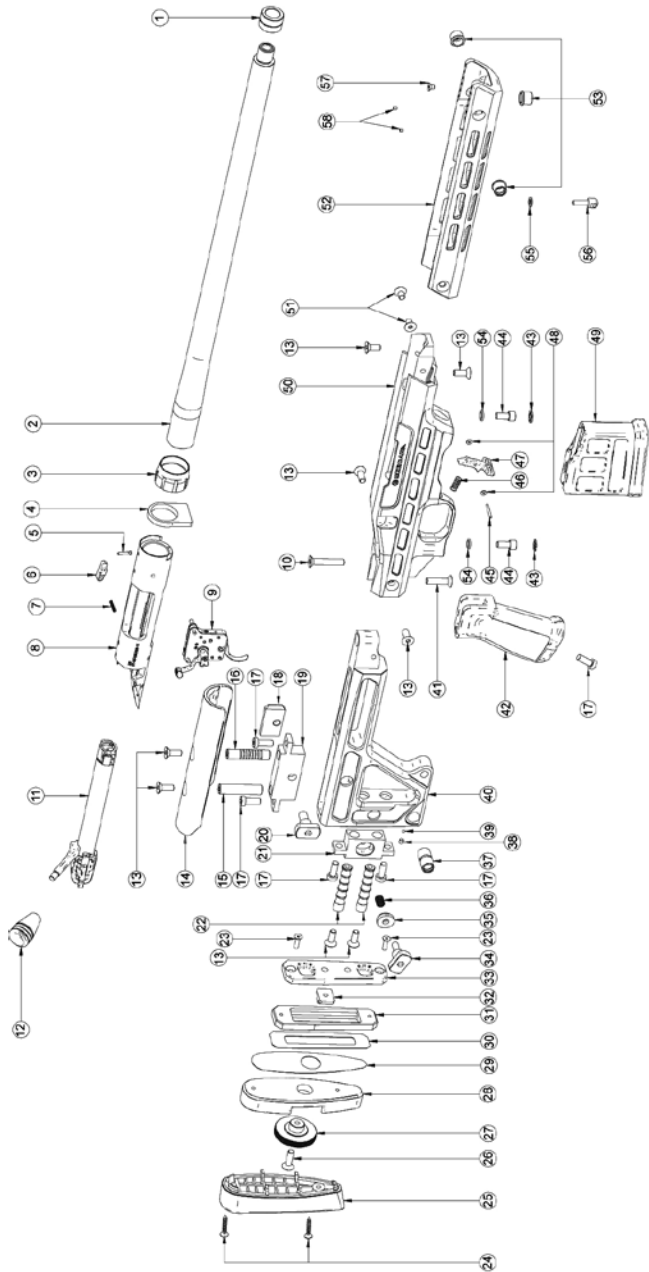
Consejo sobre seguridad:

Compruebe dos veces que la munición que está cargando es la correcta. El cañón del rifle tiene el calibre marcado en el lateral. Disparar munición de un calibre distinto al marcado en el cañón es muy peligroso y puede causar accidentes muy graves.

- Para colocar el cargador en su posición, empujelo dentro del guardamonte hasta el fondo con la parte de la salida de munición hacia arriba (Fig. 19.6). Inclinando ligeramente el cargador hacia adelante la colocación es más sencilla.
- Accionar la palanca situada en la parte trasera del guardamonte para liberar el cargador. (Fig. 19.7)



20. DESCRIPCIÓN B14 MODELO BMP

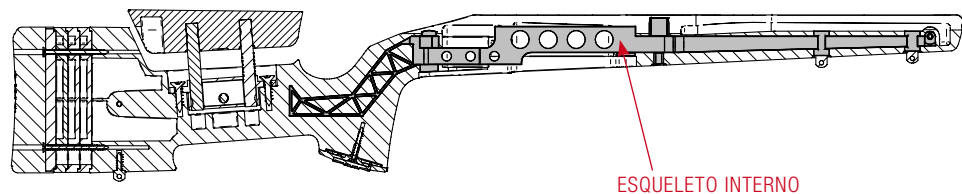


20. DESCRIPCIÓN B14 MODELO BMP

ITEM Nº	DESCRIPCIÓN	ITEM Nº	DESCRIPCIÓN
1	Cubre rosca	30	Pegatina del guía
2	Cañón	31	Guía de la tuerca de regulación
3	Tuerca cañón	32	Tuerca de regulación cantonera
4	Recoil lug	33	Soporte de las guías
5	Tornillo de retención del cerrojo	34	Tornillo regulación de la cantonera
6	Palanca de retención del cerrojo	35	Tuerca de fijación de la cantonera
7	Muelle de retención del cerrojo	36	Muelle de fijación de la cantonera
8	Carcasa	37	Soporte porta correas trasero
9	Mecanismo del gatillo	38	Pasador roscado
10	Tornillo de unión culata	39	Bola de sujeción del soporte
11	Conjunto del cuerpo del cerrojo	40	Parte trasera
12	Pomo del cerrojo	41	Tornillo de unión de la culata
13	Tornillo de unión de la carrillera	42	Pistol grip
14	Carrillera	43	Retenedor de tornillo
15	Guía trasera carrillera	44	Tornillo de la carcasa
16	Guía delantera carrillera	45	Pasador de la palanca
17	Tornillos de sujeción de las bases	46	Muelle de la palanca
18	Tuerca de fijación de la carrillera	47	Palanca
19	Base de las guías de la carrillera	48	Arandela palanca
20	Tornillo regulación carrillera	49	Cargador
21	Base de las guías de la cantonera	50	Parte central
22	Guía de la cantonera	51	Tornillo de unión culata
23	Tornillo de fijación de piezas	52	Guardamanos
24	Tirafondo de la cantonera	53	Soporte porta correas delantero
25	Cantonera	54	Arandela de la carcasa
26	Tornillo regulación cantonera	55	Arandela de plástico
27	Ruleta regulación cantonera	56	Portacorreas delantero
28	Soporte cantonera	57	Tornillo sujeción soporte
29	Pegatina de goma del soporte	58	Pasador roscado

21. B14 MODELO HMR

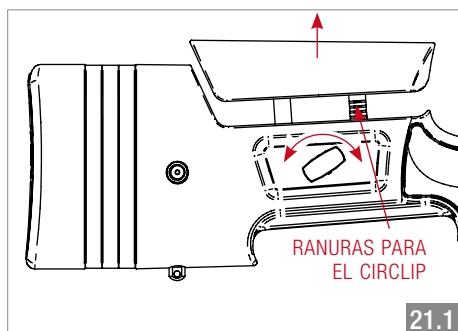
La culata HMR (Hunting Mach Rifle) esta provista de un esqueleto interior de aluminio lo que la hace perfecta para la caza a larga distancia. En este apartado encontrará los detalles que debe saber sobre el funcionamiento de esta culata..



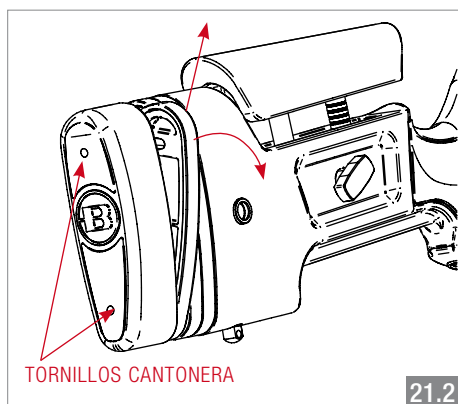
Regulación de la culata

La culata HMR está equipada con regulación en longitud y regulación de carrilera que permite al usuario adaptarlo a su gusto según la complejión física y posición de tiro de cada tirador.

- La carrillera se puede ajustar en altura muy fácilmente. Gire el tornillo de regulación hacia la izquierda para liberar la carrillera, muévala hasta la altura deseada y por ultimo gire el tornillo de regulación hacia la derecha para fijar la carrillera en su sitio. La guía delantera consta de ranuras para poder poner arandelas circlip y así asegurar que la posición de la carrillera siempre será la misma al montarla después de haberla desmontado completamente. (Fig. 21.1)
- Este rifle es ajustable en 4 longitudes diferentes. Se puede alargar la culata añadiendo separadores o acortarla quitándolos. Suelte los tornillo de la cantonera gire los separa-



21.1



21.2

dores por la parte de arriba para sacarlos y vuelva a atar el tornillo de nuevo. (Fig. 21.2)

21. B14 MODELO HMR

Carga del rifle

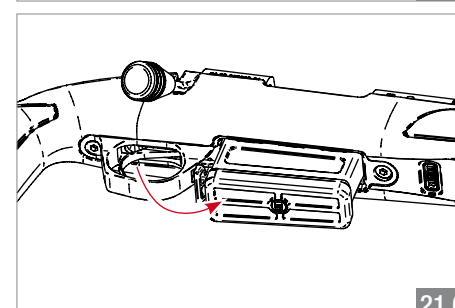
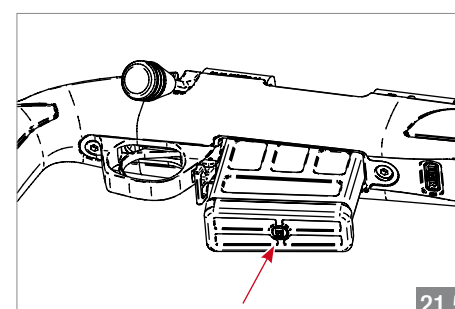
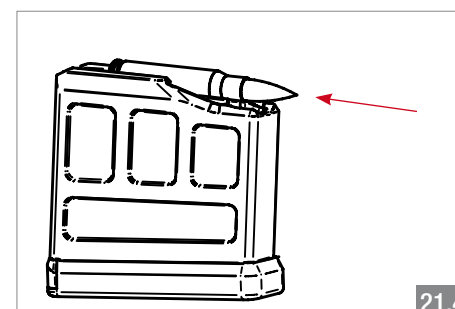
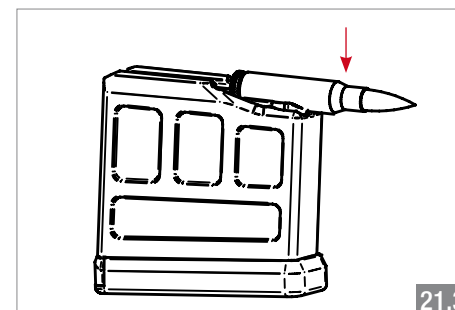
El cargador de la culata HMR se carga de la siguiente forma:

- Alimente el cargador por la apertura superior con la munición correspondiente. Para ello, empuje el cartucho hacia abajo (Fig. 21.3) Una vez apoyado en el fondo, deslícelo hacia atrás (Fig. 21.4). La capacidad del cargador es de 5 cartuchos + 1 en la recámara. Si no se ejecutan debidamente estas acciones pueden surgir problemas en el funcionamiento del arma.

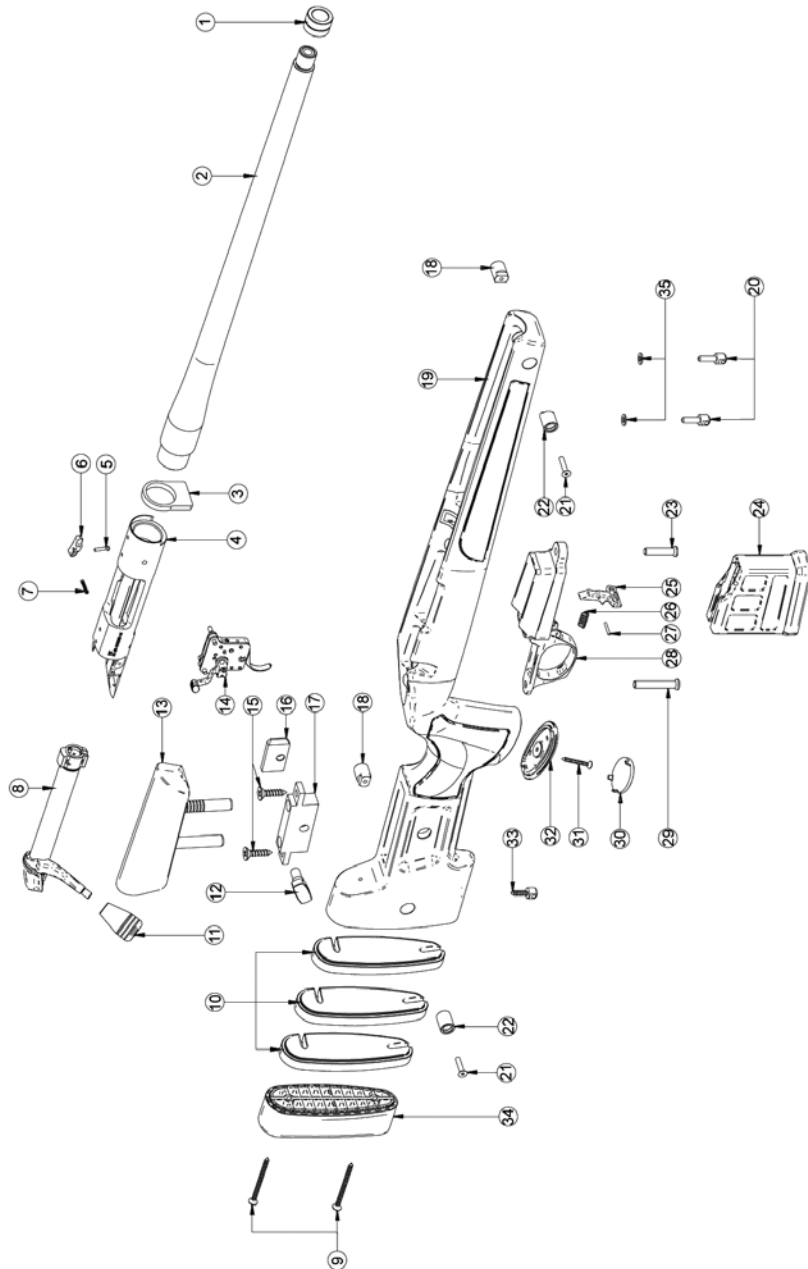
Consejo sobre seguridad:

Compruebe dos veces que la munición que está cargando es la correcta. El cañón del rifle tiene el calibre marcado en el lateral. Disparar munición de un calibre distinto al marcado en el cañón es muy peligroso y puede causar accidentes muy graves.

- Para colocar el cargador en su posición, empujelo dentro del guardamonte hasta el fondo con la parte de la salida de munición hacia arriba. (Fig. 21.5) Inclinando ligeramente el cargador hacia adelante la colocación es más sencilla.
- Inclinando ligeramente el cargador hacia adelante la colocación es más sencilla. (Fig. 21.6)



22. DESCRIPCIÓN B14 MODELO HMR



22. DESCRIPCIÓN B14 MODELO HMR

ITEM Nº	DESCRIPCIÓN	ITEM Nº	DESCRIPCIÓN
1	Cubre rosca	19	Culata
2	Cañón	20	Rotula de la portacorrea delantera
3	Recoil lug	21	Tornillo de sujeción de los soportes
4	Carcasa	22	Soporte portacorreas derecho
5	Tornillo de retención del cerrojo	23	Tornillo delantero de la culata
6	Palanca de retención del cerrojo	24	Cargador
7	Muelle de retención del cerrojo	25	Palanca del cargador
8	Conjunto del cuerpo del cerrojo	26	Muelle de la palanca del cargador
9	Tirafondo cantonera	27	Pasador de la palanca del cargador
10	Separador cantonera	28	Guardamontes
11	Pomo del cerrojo	29	Tornillo trasero de la culata
12	Tornillo regulación carrillera	30	Tapa de escudo
13	Carrillera	31	Tornillo de fijación del escudo
14	Mecanismo del gatillo	32	Escudo
15	Tirafondo de sujeción de la base	33	Rotula de la portacorrea trasera
16	Tuerca de fijación de la carrillera	34	Cantonera
17	Base guía de la carrillera	35	Arandela de plástico
18	Soporte portacorreas izquierdo		

23. PREGUNTAS MAS FRECUENTES, CAUSAS Y SOLUCIONES

PROBLEMA	CAUSA	SOLUCIÓN
El arma está cargada, aprieto el gatillo pero no sale el disparo	Munición defectuosa	Pruebe con otra munición
	El percutor no sale lo suficiente o lo hace con poca energía	Contacte con el Servicio de Asistencia Técnica (SAT) Bergara
	Percutor roto	
El cartucho no entra en la recámara	Munición de calibre incorrecto	Asegúrese que la munición es del calibre que corresponde
	El rifle ya está cargado	Sacar con mucho cuidado la vaina alojada
	Algo está obstruyendo la recámara o la recámara está muy sucia	Limpie cuidadosamente la recámara
	Recámara dañada	Contacte con el SAT Bergara
No puedo bajar la palanca del cerrojo	Recámara sucia (restos de vainas...)	Limpie la recámara. Si no se solventa contacte con el SAT Bergara
	Ha utilizado munición de otro calibre	Utilice munición correcta
	Expulsor bloqueado, rígido	Eche aceite, mueva a mano y si no se solventa contacte con el SAT Bergara
El arme se dispara al cerrar el cerrojo	Disparador dañado o desajustado	Pare inmediatamente, muy peligroso. Contacte con el SAT Bergara
El arma dispara con el seguro puesto	Cuidado! Muy peligroso. Disparador defectuoso	Contacte con el Servicio de Asistencia Técnica Bergara
El rifle ha disparado pero no extrae la vaina	El extractor no funciona correctamente	Contacte con el SAT Bergara
		Compruebe que el expulsor "muellea" correctamente
		Compruebe que el expulsor no está roto
		Si alguna de las dos cosas sucede, contacte con el SAT Bergara
	Vaina defectuosa	Pruebe con otra munición
	Recámara dañada	Contacte con el SAT Bergara

23. PREGUNTAS MAS FRECUENTES, CAUSAS Y SOLUCIONES

PROBLEMA	CAUSA	SOLUCIÓN
No puedo introducir los cartuchos en el cargador	Seguidor mal colocado	Coloque el seguidor correctamente
	Cartuchos mal introducidos	Al introducir el cartucho hay que procurar que el culote toque la parte trasera del cargador. Es decir, hay que empujar la bala hacia abajo y hacia atrás como se indica en la página 40 de este manual
	Calibre de la munición incorrecto	Asegúrese que el calibre corresponde con el del cañón
El rifle disparado, extrae la vaina pero no la expulsa	Suciedad u óxido en el expulsor	Limpie adecuadamente y lubrique la zona
	El expulsor no funciona correctamente	Compruebe que el extractor "muellea" correctamente Compruebe que el extractor no está roto Si alguna de las dos cosas sucede, contacte con el Servicio de Asistencia Técnica Bergara
No puedo abrir la trampilla inferior del cargador	Suciedad o mantenimiento deficiente	Limpie y después lubrique la zona de la pestaña con aceite en spray
No puedo cerrar la trampilla del cargador	Defecto en el seguidor o en el muelle	Contacte con el SAT Bergara
El rifle no alimenta los cartuchos del cargador	Suciedad o mantenimiento deficiente	Limpie y después lubrique la zona de la pestaña con aceite en spray
	Defecto en el seguidor o en el muelle	Contacte con el SAT Bergara
	Cartuchos mal introducidos en el cargador	Saque las balas y alimente el cargador de nuevo asegurando que las balas se introducen bien según se indica en la página 40 de este manual
	Defecto en el seguidor o en el muelle	Contacte con el SAT Bergara

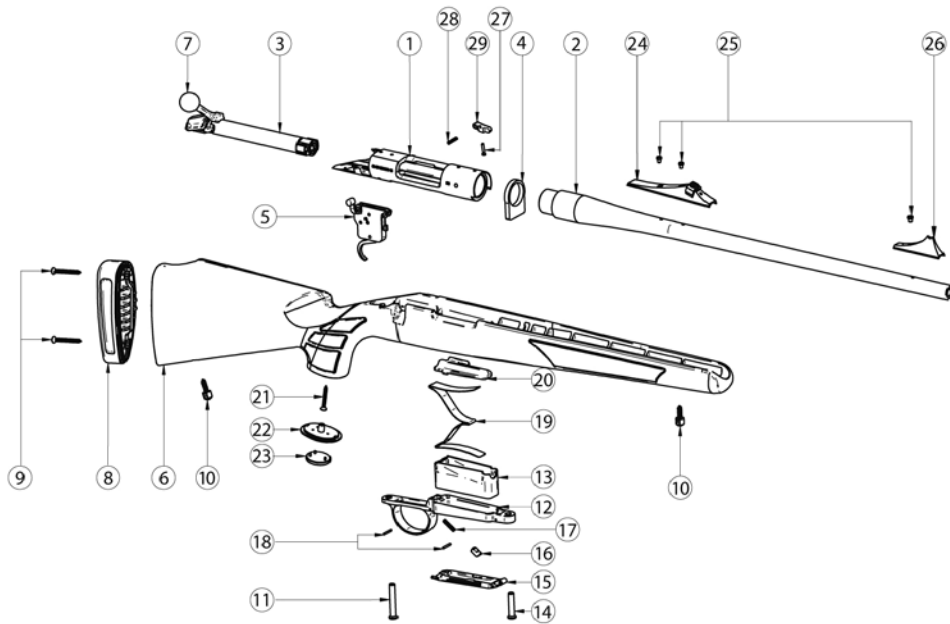
23. PREGUNTAS MAS FRECUENTES, CAUSAS Y SOLUCIONES

PROBLEMA	CAUSA	SOLUCIÓN
El cerrojo se sale sin pulsar la palanca lateral (tope escamoteable)	El tope escamoteable está roto	Contacte con el SAT Bergara
Capuchón trasero girado	Giro accidental cuando el cerrojo estaba fuera	Gire el capuchón hasta su posición con la mano
El disparador está muy duro	Disparador mal ajustado, suciedad o disparador defectuoso	Regulación de la dureza del disparador por un armero cualificado o contacte con el Servicio de Asistencia Técnica Bergara
El movimiento del cerrojo es muy duro	Suciedad, lubricación defectuosa	Saque el cerrojo y limpie con cuidado el cerrojo y la acción
	Cerrojo golpeado	Contacte con el SAT Bergara
Se me está oxidando el arma	Mantenimiento inadecuado del rifle	Elimine el óxido y aceite el arma o contacte con el Servicio de Asistencia Técnica Bergara
Cuesta mucho subir la palanca	Suciedad o mantenimiento inadecuado	Limpie y lubrique adecuadamente
	Munición inadecuada que causa sobrepresiones	Utilice munición comercial
	Problema en el mecanismo del rifle	Contacte con el SAT Bergara
Se suelta la bola de la palanca	Rotura de rosca	Contacte con el SAT Bergara
	Se ha soltado de su alojamiento	Utilizando un producto de bloqueo de rosca, volver a ajustar la bola

23. PREGUNTAS MAS FRECUENTES, CAUSAS Y SOLUCIONES

PROBLEMA	CAUSA	SOLUCIÓN
El rifle no me agrupa	Munición inadecuada	Pruebe con otra munición
	Munición recargada	
	¿Se te ha caído el arma?	Verifique el correcto estado del arma y de los elementos de visión. Si todo es OK y no agrupa, contacte con el SAT Bergara para evaluación de daños y garantía
	Suciedad u óxido en el cañón (sobre todo cerca de la boca del cañón)	Limpie adecuadamente el cañón según este libro de instrucciones
	Suciedad en recámara	
	Mira telescópica mal atada (base, anillas, visor)	Asegure que los elementos de puntería están bien atados con un par de 7 Nm
	Golpe en la boca del cañón (crowning)	Contacte con el SAT Bergara
	Accesorios montados en el cañón (excepto miras abiertas o visor)	Desmontar los accesorios que han sido montados al cañón
	Cañón está tocando la culata. Sin flotabilidad	Contacte con el SAT Bergara
	La culata no está bien atada	Asegurar que los tornillos están bien atados
	Disparador muy duro	Contacte con el SAT Bergara
	Recámara dañada	
Defectuoso cierre cerrojo-acción-cañón		

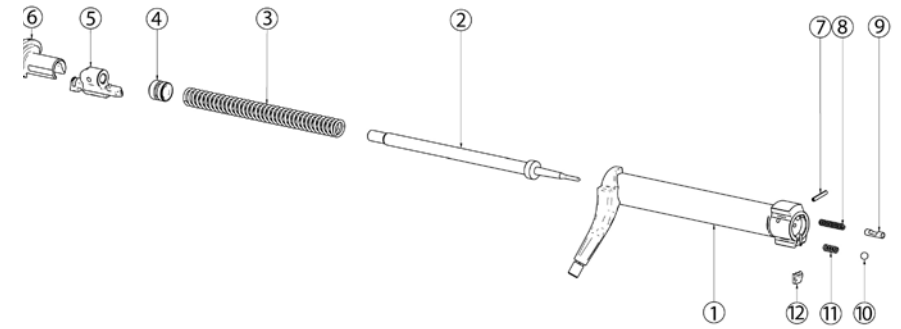
24. DESCRIPCIÓN GENERAL



ITEM N°	DESCRIPCIÓN	ITEM N°	DESCRIPCIÓN
1	Carcasa	16	Botón apertura cargador
2	Cañón	17	Muelle del botón de apertura
3	Conjunto del cuerpo del cerrojo	18	Pasadores guardamonte
4	Recoil lug	19	Muelle del cargador
5	Mecanismo del gatillo	20	Seguidor
6	Culata	21	Tornillo de fijación del escudo
7	Pomo del cerrojo	22	Escudo
8	Cantonera	23	Tapa del escudo
9	Tirafondo de la cantonera	24*	Conjunto alza
10	Rótula de la portacorrea	25*	Tornillo alza-mira
11	Tornillo trasero de la culata	26*	Conjunto mira
12	Guardamonte	27	Tornillo de retención del cerrojo
13	Cargador	28	Muelle de retención del cerrojo
14	Tornillo delantero de la culata	29	Palanca de retención del cerrojo
15	Bandeja del cargador		

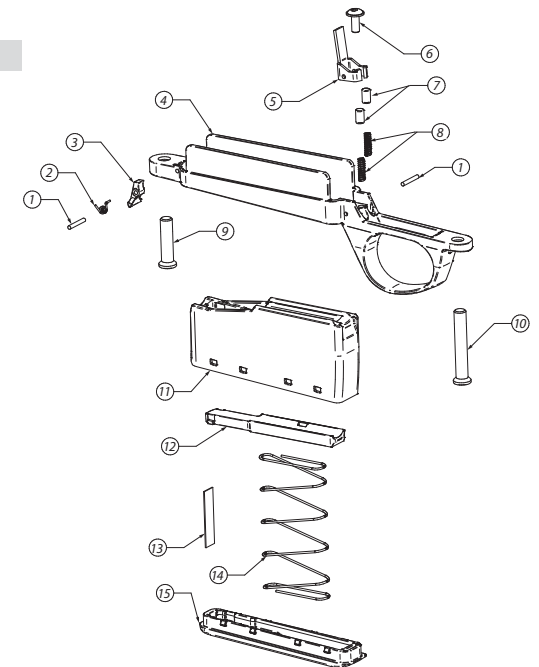
** Alzas y miras disponibles sólo en algunas configuraciones*

24. DESCRIPCIÓN GENERAL



ITEM N°	DESCRIPCIÓN	ITEM N°	DESCRIPCIÓN
1	Cuerpo del cerrojo	7	Pasador del expulsor
2	Percutor	8	Muelle del expulsor
3	Muelle del percutor	9	Expulsor
4	Casquillo del percutor	10	Bola del extractor
5	Enganche del percutor	11	Muelle del extractor
6	Cubierta del percutor	12	Extractor

ITEM N°	DESCRIPCIÓN
1	Pasador guardamonte
2	Muelle palanca
3	Palanca sujeción cargador
4	Guardamonte cargador
5	Chapa empuje cargador
6	Tornillo regulador
7	Pasador empuje
8	Muelle empuje
9	Tornillo delantero de la culata
10	Tornillo trasero de la culata
11	Cuerpo cargador
12	Seguidor
13	Chapa cargador
14	Muelle cargador
15	Tapa cargador



25. GARANTÍA

Por favor, dirija sus dudas acerca de la garantía a:

Para EEUU /Canadá:

Info@bergararifles.com

contact@bergarausa.com

O por correo ordinario a:

DIKAR S. Coop

Ugarte, 26

20570 Bergara - Gipuzkoa (Spain)

Bergara North America

BPI Outdoors

1270 Progress Center Ave. Suite 100

Lawrenceville, GA 30043

El rifle B14 está garantizado contra cualquier defecto de fabricación de por vida. Esta garantía se otorga al comprador original y no es transferible. Esta garantía no cubre el uso y desgaste normal, el acabado del metal o la madera, el abuso o mal uso, los daños materiales, el coste de los inconvenientes o la falta de uso.

Esta garantía le otorga ciertos derechos legales y usted puede tener otros derechos que varían de un estado a otro o de un país a otro. Aparte de los supuestos de anulación de garantía recogidos en los diferentes apartados de este manual, la garantía no tiene validez si:

- Terceras personas han realizado reparaciones no autorizadas en este manual.
- El arma es devuelta en condiciones descuidadas (sucia, con corrosión...).
- Se ha utilizado munición militar, munición recargada o no autorizada por el CIP o SAAMI.
- Daños como consecuencia de no haber respetado las instrucciones dadas en este manual.

El arma viene identificada con su número de serie en el lateral de la carcasa o acción.

IMPORTANTE: ¡En caso de devolución, asegúrese de que el arma esté descargada!

B BERGARA

Servicio de Asistencia Técnica (SAT):

BERGARA

DIKAR S. Coop

Ugarte, 26

20570 Bergara - Gipuzkoa (Spain)

Tel.: +34 943 769 893

info@bergararifles.com

www.bergararifles.com

Facebook: Bergara Rifles Europe

Youtube: bergarainternational

Servicio de Asistencia Técnica EEUU:

Bergara North America

BPI Outdoors

1270 Progress Center Ave. Suite 100

Lawrenceville, GA 30043

800 320-8767

www.bergarausa.com

contact@bergarausa.com

Facebook: Bergara USA

Youtube: Bergara US



INHALTSVERZEICHNIS

DE

1. Einleitung	68
2. Sicherheit im Allgemeinen	69-70
3. Vor dem Abfeuern der Büchse	71
4. Laden der Büchse	72
5. Laden der Munition mit entnehmbarem Magazin	72
6. Funktionsweise des Systems mit entnehmbarem Magazin	73
7. Montage des Kits eines entnehmbaren Magazins	73
8. Büchse abfeuern	74-75
9. Einschießen des Laufs	76
10. Entfernen einer in der Seele des Laufs festsitzenden Patrone	76
11. Verwendung von Militärmunition	76
12. Einstellung des Abzugsgewichts	77
13. Sicherheitstest des Abzugs	78
14. Zerlegen der Waffe zu deren Reinigung	78
15. Montage des Zielfernrohrs	78-79
16. Zerlegen der Waffe zu deren Reinigung	79
17. Reinigung und Wartung	80-81
• Lauf	80
• Gehäuse (System) und Verschluss	81
• Kolben und Handschutz	81
18. Lagerung	81
19. B14 Modell BMP	82-83
• Einstellung des Kolbens	82
• Laden der Büchse	83
20. Beschreibung B14 Modell BMP	84-85
21. B14 Modell HMR	86-87
• Einstellung des Kolbens	86
• Laden der Büchse	87
22. Beschreibung B14 Modell HMR	88-89
23. Häufig gestellte Fragen, Ursachen und Lösungen	90-93
24. Allgemeine Beschreibung	94-95
25. Garantie	96

1. EINLEITUNG UND ALLGEMEINE SICHERHEIT

Vielen Dank für den Kauf einer Repetierbüchse mit Zylinderverschluss Bergara B14.

Wir hoffen, dass diese Büchse Ihren Erwartungen entspricht, Ihren Zwecken dient und Ihnen einige Jahre lang Freude bereitet.

Lesen Sie dieses Handbuch. Der Bediener muss sich mit vielen Eigenschaften vertraut machen, um die Waffe auf sichere Art und Weise zu benutzen.

Die Zukunft der Schießsportarten liegt in Ihrer Hand.

Die Unfälle, die missbräuchliche Verwendung von Schusswaffen usw. werden als Gründe für ein Verbot der Schießsportarten im Allgemeinen und von Waffen im Speziellen betrachtet.

Seien Sie verantwortungsvoll, erhöhen Sie die Sicherheit und achten Sie auf Sicherheitshinweise anderer Schützen.

Sollten Sie nach dem Lesen der in diesem Handbuch beschriebenen Anweisungen und Risiken nicht dazu bereit sein, die Verantwortung zu akzeptieren, die es erfordert, eine Waffe auf sichere Art und Weise zu handhaben und abzufeuern, bringen Sie die Waffe an Ihren Händler zurück.

Um eine sichere Benutzung der Waffe zu gewährleisten, müssen alle Sicherheitsmaßnahmen berücksichtigt werden!

2. SICHERHEIT IM ALLGEMEINEN

10 Sicherheitsbestimmungen für die Handhabung Ihrer Waffe

- 1 Halten Sie die Mündung der Büchse stets in eine sichere Richtung, auch wenn die Büchse entladen ist.
- 2 Seien Sie sich Ihres Ziels und dem, was dahinter liegt, sicher, bevor Sie auf etwas zielen.
- 3 Verlassen Sie sich nie auf die mechanischen Sicherheit einer Waffe.
- 4 Die Waffe muss bis zum Zeitpunkt deren Benutzung entladen sein.
- 5 Verwenden Sie stets Augen- und Gehörschutz.
- 6 Der Lauf muss vor dem Laden und dem Schuss frei von einer jeden Art von Blockierung sein.
- 7 Behandeln Sie jede Waffe so, als wäre sie geladen.
- 8 Lagern Sie die Waffen und die Munition voneinander getrennt und in einem mit Schlüssel verschlossenem Bereich.
- 9 Vermeiden Sie vor und während der Benutzung einer Waffe den Konsum von alkoholischen Getränken und Drogen.
- 10 Verändern oder modifizieren Sie Ihre Waffe nicht. Lassen Sie Ihre Waffe regelmäßig von einem kompetenten Büchsenmacher überprüfen. Versichern Sie sich vor jedem Gebrauch, dass jedes Teil ordnungsgemäß funktioniert.

2. SICHERHEITSERWÄGUNGEN FÜR ALLE WAFFEN

- Rauchen Sie niemals während des Schießens oder der Handhabung einer Waffe oder damit verbundener Materialien. Die Asche oder die Funken können ein Entzünden des Schießpulvers oder der Patronen verursachen, das zu Verletzungen oder zum Tod führen kann.
- Verwenden Sie stets einen Augenschutz. Es ist möglich, dass bei der Benutzung der Büchse Partikel aus dem Patronenlager oder der Mündung der Waffe überspringen.
- Überprüfen Sie die Waffe stets vor deren Gebrauch, um sich zu vergewissern, dass sich diese in einem guten Betriebszustand befindet. Prüfen Sie vor dem Laden sorgfältig den Abzug und das Öffnungssystem. Überprüfen Sie, dass der Lauf nicht blockiert ist. Ein jede Blockierung kann zur Explosion führen und schwere Verletzungen oder den Tod verursachen.
- Laden Sie niemals eine Waffe, bevor Sie nicht schussbereit sind. Die Patrone muss beim Gehen, beim Klettern auf Bäume oder Umzäunungen, bei der Übergabe der Waffe von einer Person zur anderen, beim Überspringen einer Wand oder eines Zauns usw. entfernt werden.
- Lehnen Sie eine Waffe niemals gegen die Wand, einen Baum, ein Fahrzeug oder eine andere Oberfläche. Der Sturz einer geladenen Waffe kann das unbeabsichtigte Auslösen der Waffe verursachen und zu schweren Verletzungen oder zum Tod führen.
- Transportieren Sie niemals eine geladene Waffe in einem Fahrzeug. Die Waffe wird als geladen betrachtet, solange sich die Patrone in dem Patronenlager befindet.
- Bewahren Sie niemals eine geladene Waffe auf. Die Waffe muss entladen sein und vor einer jeden Lagerung gereinigt werden.
- Laden Sie niemals eine Waffe, ohne sich zuvor zu vergewissern, dass der Lauf sauber und frei von Blockierungen ist. Fällt die Waffe versehentlich zu Boden, überprüfen Sie, dass der Lauf nicht blockiert worden ist.
- Seien Sie bei der Jagd von einem Baumsitz aus sehr vorsichtig. Das versehentliche Herunterfallen einer Waffe kann einen Schuss auslösen, der zu schweren Verletzungen oder zum Tod führen kann. Versichern Sie sich, dass die Waffe vor dem Hoch- oder Herunterklettern eines Baumes entladen ist.
- Verlassen Sie sich nie auf die mechanischen Sicherheit einer Waffe! Die mechanischen Geräte können versagen und tun dies auch. Die Waffen müssen unabhängig von der Stellung oder dem mechanischen Zustand der Sicherung stets wie eine schussbereite Waffe gehandhabt werden.
- Wenden Sie stets geeignete Reinigungsveahren an. Das Abfeuern eines Laufs mit schlechtem Wartungszustand oder mit Korrosion kann gefährliche Druckbedingungen bzw. eine Explosion des Laufs verursachen und zu schweren Verletzungen oder zum Tod führen.
- Richten Sie den Lauf niemals gegen etwas, das Sie nicht beschädigen möchten. Stellen Sie beim Tragen der Waffe über der Schulter sicher, dass die Mündung des Laufs nach oben zeigt.
- Versuchen Sie nicht, die Innenteile Ihrer Waffe zu verändern. Sollten Sie dies tun, kann es zu einer gefährlichen Situation kommen, die ein versehentliches Auslösen der Waffe hervorruft und zu schweren Verletzungen oder zum Tod führen kann. Diese Änderungen führen im Allgemeinen zum Erlöschen der Garantie.
- Lassen Sie die Waffe nicht unbeaufsichtigt oder in Reichweite von Kindern. In einigen Ländern steht dies per Gesetz unter Strafe.

3. VOR DEM ABFEUERN DER BÜCHSE

Machen Sie sich mit der Waffe vertraut. Lernen Sie ohne Munition, wie die Büchse funktioniert und wie man diese benutzt. Empfehlungen vor Benutzung der Büchse:

- Die Büchse wird verpackt mit von der Kammer demontierten Verschluss geliefert. Überprüfen Sie vor der Montage des Verschlusses, ob die Büchse entladen ist, d. h., dass sich keine Hülse im Patronenlager befindet oder der Lauf blockiert ist.
- Stellen Sie sicher, dass sich keine Patrone in dem Magazin befindet.
- Reinigen Sie den Lauf von innen, wie in dem Abschnitt "Reinigung und Wartung" beschrieben.
- Reinigen Sie das überschüssige Öl am Verschluss und im Bereich des Systemkastens.
- Geben Sie den Verschluss Kammerverschluss ein, wie in dem Punkt "Demontage der Waffenkomponenten zu deren Reinigung" dieses Handbuchs beschrieben.
- Überprüfen Sie die ordnungsgemäße Funktion des Auslöser, indem Sie diesen mehrfach betätigen.
- Sobald Sie die vorherigen Schritte ausgeführt haben, können Sie die Waffe laden, wie in dem folgenden Punkt dieses Handbuchs beschrieben.
- Beim erstmaligen Abfeuern einer Büchse wird empfohlen, das Einschießen des Laufs vorzunehmen. Das Verfahren wird im Abschnitt "Einschießen des Laufs" beschrieben.

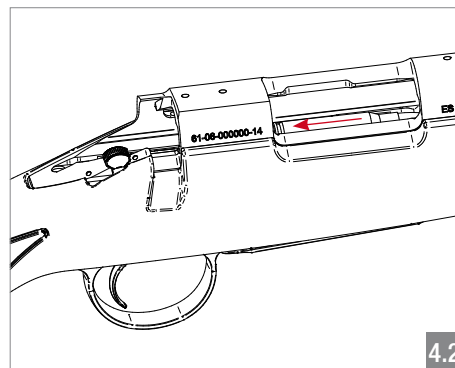
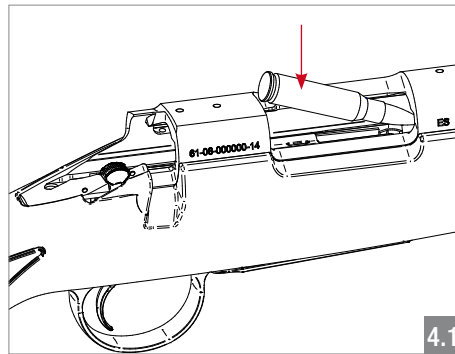
4. LADEN DER BÜCHSE

Die B14 wird wie folgt benutzt:

Laden Sie das Magazin über die obere Öffnung des Zylinderschlusses mit der entsprechenden Munition. Drücken Sie dazu die Patrone nach unten (Abb. 4.1). Sobald drinnen, schieben Sie diese nach hinten (Abb. 4.2). Die Kapazität des Magazin in den Standardkalibern beträgt 4 + 1 Patrone in dem Patronenlager und in den Magnum 3 + 1 Patrone. Werden diese Handlungen nicht ordnungsgemäß ausgeführt, können Probleme im Betrieb der Waffe auftreten.

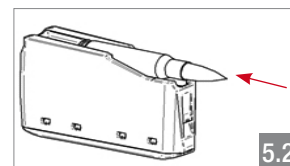
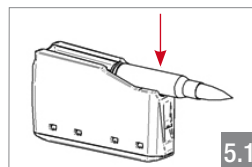
Sicherheitshinweis:

Überprüfen Sie zweimal, dass die Munition, die Sie laden, die richtige ist. Der Lauf der Büchse hat das an der Seite gekennzeichnete Kaliber. Das Verschieben von Munition eines Kalibers, das von dem auf dem Lauf gekennzeichneten Kaliber abweicht, ist extrem gefährlich und kann zu schweren Unfällen führen.



5. LADEN DER MUNITION MIT ENTNEHMBAREM MAGAZIN

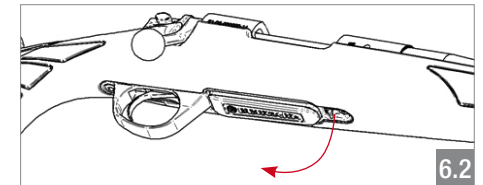
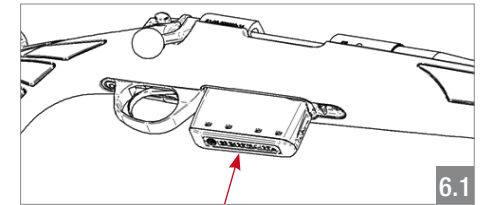
Laden Sie das Magazin über die obere Öffnung mit der entsprechenden Munition. Drücken Sie dazu die Patrone nach unten (Abb. 5.1). Sobald die Patrone den Boden berührt, schieben Sie diese nach hinten (Abb. 5.2). Die Kapazität des Magazins beträgt in den Standardkalibern 3 Patronen und in den Magnum 2 Patronen. Werden diese Handlungen nicht ordnungsgemäß ausgeführt, können Probleme im Betrieb der Waffe auftreten.



6. FUNKTIONSWEISE DES SYSTEMS DES ENTNEHMBAREN MAGAZINS

Um das Magazin in seine Position zu bringen, schieben Sie es innerhalb des Abzugsbügels bis zum Anschlag, mit dem Munitionsauslass nach oben. (Abb. 6.1)

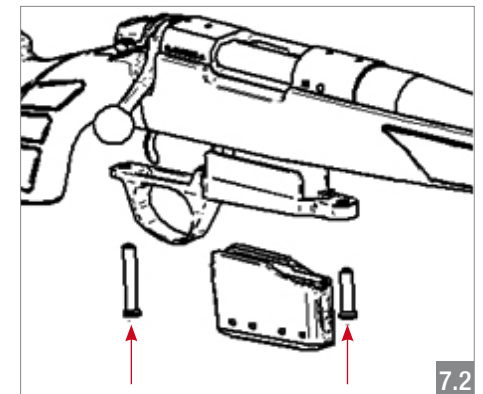
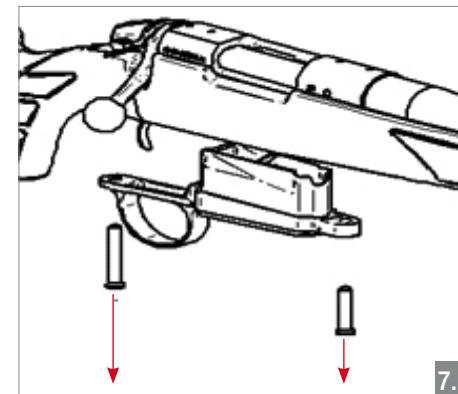
Betätigen Sie den in dem vorderen Teil des Abzugsbügel befindlichen Hebel, um das Magazin zu entsperren. (Abb. 6.2)



7. MONTAGE DES KITS EINES ABNEHMBAREN MAGAZINS

Die Büchse B14 verfügt über ein Kit eines abnehmbaren Magazins für Büchsen mit Magazinfach. Für eine ordnungsgemäße Befestigung dieses Kits empfiehlt es sich, die folgenden Schritte auszuführen.

- Lösen Sie die Schrauben, die das Abzugsschloss befestigen, und ziehen Sie diese mit all seinen Teilen heraus. (Abb. 7.1)



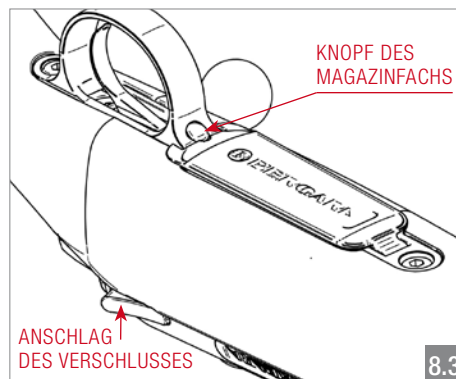
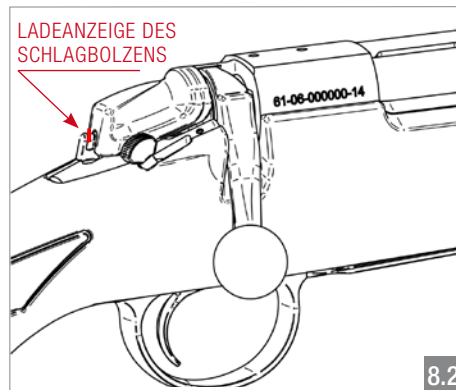
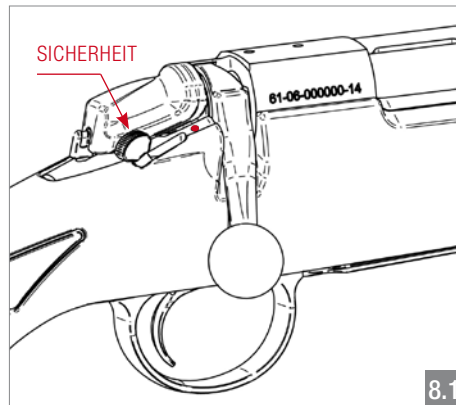
- Platzieren Sie den neuen Abzugsbügel in dem Kolben und befestigen Sie es an der Büchse mittels der Schrauben, die Ihnen zusammen mit diesem Kit zur Verfügung gestellt worden sind (Abb. 7.2). Der Anzugsdrehmoment dieser Schrauben beträgt 6,2Nm (55lbs in).
- Geben Sie das Magazin in das Abzugsschloss ein.

8. DIE BÜCHSE ABFEUERN

- Ziehen Sie den Verschluss und versichern Sie sich, dass die Waffe entladen ist. Überprüfen Sie ebenfalls, dass die Seele nicht blockiert wird. Versichern Sie sich, dass das Magazin-fach geschlossen ist.
- Die Sicherung der Waffe kann nicht betätigt werden, wenn sich der Sicherungshebel des Verschlusses in der unteren Position befindet und die Büchse nicht gespannt ist, die Büchse ist nicht geladen. Sobald der Hebel des Verschlusses angehoben ist, können Sie die Büchse in Sicherungsstellung bringen. Stellen Sie die Büchse also auf Sicherung, sobald der Sicherungshebel des Verschlusses angehoben ist und bevor Sie eine Patrone in das Patronenlager eingeben. Die Büchse wird durch Ziehen des Sicherungshebels nach hinten auf den weißen Punkt in Sicherungsstellung gebracht. (Abb. 8.1)
- Verschieben Sie den Riegel. Überprüfen Sie die rote Anzeige des geladenen Schlagbolzens. (Abb. 8.2)
- Sind Sie bereit zum Schießen, entfernen Sie die Sicherung (Hebel nach vorne) und ziehen Sie sanft den Abzug.

Sicherheitshinweis:

Stellen Sie beim Laden der Waffe sicher, den Hebel bis zum Anschlag zu senken.



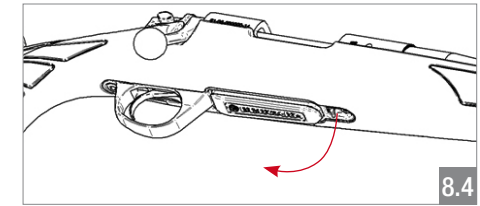
8. DIE BÜCHSE ABFEUERN

Sicherheitshinweise:

Verwenden Sie die Büchse nicht, wenn die Anzeige des gespannten Schlagbolzens bei geschlossenem Verschluss nicht übersteht. Bringen Sie die Waffe zur Revision zu einem qualifizierten Büchsenmacher oder kontaktieren Sie den **Technischen Kundendienst von Bergara**.

Feuert die Büchse bei Ziehen des Abzugs einer geladenen Waffe nicht ab, halten Sie die Büchse in eine sichere Richtung und warten Sie 30 Sekunden, bevor Sie den Verschluss öffnen. Der Verschluss ist mit äußerster Vorsicht zu öffnen.

Besteht der Verdacht, dass ein Fehlschuss abgegeben wurde und dass die Kugel nicht aus dem Lauf ausgetreten ist, entfernen Sie den Verschluss und überprüfen Sie dies. Diese Situation kann eintreten, wenn das Schießpulver schlecht ist, sich nicht entzündet oder nur eine teilweise Verbrennung stattfindet. Bringen Sie die Waffe in diesem Fall zur Revision zu einem qualifizierten Büchsenmacher oder kontaktieren Sie den **Technischen Kundendienst von Bergara**.



- Öffnen Sie nach Abgabe des Schusses den Verschluss, ziehen Sie ihn bis zum Anschlag nach hinten, schieben Sie ihn dann nach vorne und schließen Sie den Verschluss. Versichern Sie sich, dass die Waffe die benutzte Hülse auswirft. Es ist wichtig, den Verschluss bis zum Anschlag und nicht nur einen einfachen kurzen Weg zu ziehen, da die Waffe verstopfen könnte.
- Ziehen Sie zum Entleeren der Waffe den Verschluss des Gehäuses und entfernen Sie die Munition durch Drücken des Knopfes des Magazin-fachs (Abb. 8.3) oder entnehmen Sie das abnehmbare Magazin. (Abb. 8.4)
- Kontrollieren Sie, dass sich keine Patrone in dem Patronenlager befindet.

9. EINSCHIESSEN DES LAUFS

Während der Herstellung kommt es zur Erzeugung mikroskopischer Unebenheiten in der Seele des Laufs. Diese Unebenheiten werden nach verschiedenen Reihen an Schüssen geglättet. Werden diese Unebenheiten ordnungsgemäß beseitigt, verschmutzt der Lauf weniger, kann einfacher gereinigt werden, ist glatter und gewinnt an Präzision.

Das Verfahren der Entfernung genannter Unebenheiten nennt sich "Einschießen des Laufs". Das Verfahren besteht darin, einen

Schuss oder eine Reihe davon zu lösen und im Anschluss die Seele zu reinigen.

Lassen Sie den Lauf auskühlen, bevor Sie mit der Reinigung beginnen.

Empfohlenes Einschießverfahren:

- Bei den ersten 5 Schüssen die Waffe nach jedem Schuss reinigen.
- Bei den folgenden 50 Schüssen die Waffe nach jedem 10. Schuss reinigen.
- Bei den darauffolgenden Schüssen die Waffe häufig reinigen.

10. ENTFERNEN EINER IN DER SEELE FESTSITZENDEN KUGEL

Sicherheitshinweis:

Versuchen Sie nicht, die festsitzende Kugel mit weiteren Folgeschüssen zu entfernen, da der erzeugte Druck die Waffe zerstören und dabei den Schützen verletzen kann.

Bringen Sie die Waffe zur Revision zu einem qualifizierten Büchsenmacher oder kontaktieren Sie den **technischen Kundendienst von Bergara**.

11. VERWENDUNG VON MILITÄRMUNITION

Die Militärmunition, wobei es sich um die 5,56 NATO und die 7,62 NATO handeln kann, hat im Allgemeinen eine größere Dicke als die Zivilmunition, wobei es sich um die .222 Remington und die .308 Winchester handeln kann. Es gibt weitere Unterschiede in den Abmessungen

des Patronenlagers und dem Druck, mit dem die Munition für gewöhnlich geladen wird. Aus diesem Grund empfehlen BERGARA und das Sporting Arms and Ammunition Manufacturers' Institute (SAAMI), keine Militärmunition in Zivilwaffen zu verwenden.

12. EINSTELLUNG DES AUSLÖSEGEWICHTS

Die B14 verfügt über einen komplett einstellbaren Abzugsmechanismus.

Das Abzugsgewicht ab Werk liegt bei ca. 1 kg (2.2 lbs). Die mögliche Einstellung ist von etwa 1 kg (2.2 lbs) bis 2 kg (4.4 lbs) bei allen Modellen.

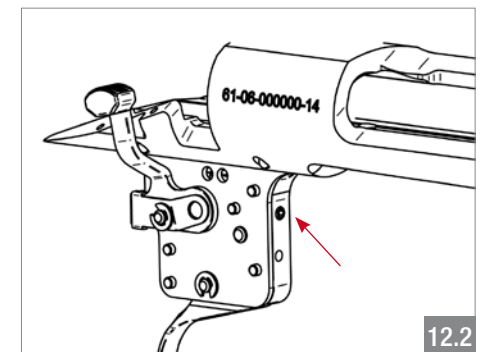
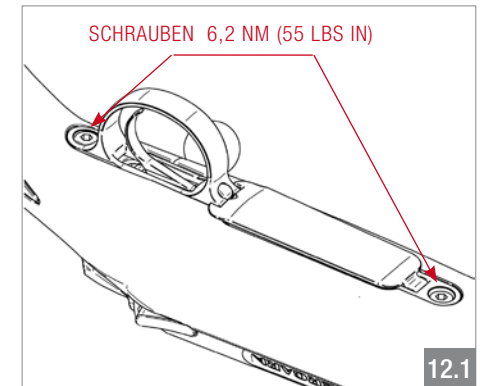
Sicherheitshinweise:

Wechseln Sie den Auslösemechanismus nicht durch ein anderes Fabrikat eines anderen Unternehmens aus. Es kann sein, dass dieses in Ihre Waffe passt, dennoch ist es möglich, dass es nicht ordnungsgemäß funktioniert und somit nicht sicher ist. Der Austausch des Auslösemechanismus führt zum Erlöschen der Garantie.

Der Auslöser sollte ausschließlich durch einen qualifizierten Büchsenmacher oder vom Hersteller eingestellt werden.

Um die Stellschraube zu erreichen ist es erforderlich, den Kolben zu demontieren. Entsperren Sie dazu das Magazinfach und lösen Sie die Schrauben des Abzugsbügels (Abb. 12.1). Der Kolbens kann bei dessen Entfernung im Gehäuse steckenbleiben, und es kann sein, dass dessen Demontage eine Weile in Anspruch nimmt.

Die Regulierschraube des Auslösegewichts (Abb. 12.2) stellt die erforderliche Kraft ein, um den Auslöser zu ziehen.



Sicherheitshinweis:

Der Auslöser sollte ausschließlich durch einen qualifizierten Büchsenmacher oder vom Hersteller eingestellt werden.

13. SICHERHEITSTEST DES AUSLÖSERS

Nach Einstellen des Auslösers sollten die folgenden Tests durchgeführt werden:

- Schließen Sie den Verschluss so schnell wie möglich. Die Ladeanzeige muss sichtbar bleiben. Ist dies nicht der Fall, kontaktieren Sie den technischen Kundendienst (SAT) von Bergara.
- Überprüfen Sie das Auslösegewicht mit einer Gewichtsskala. Liegt das Abzugsgewicht unter 1,2 kg (2,8 lbs), erhöhen Sie es.

- Simulieren Sie einen Schuss und führen Sie einen Gesamtzyklus durch. Die rote Ladeanzeige muss sichtbar sein. Ist dies nicht der Fall, kontaktieren Sie den technischen Kundendienst.

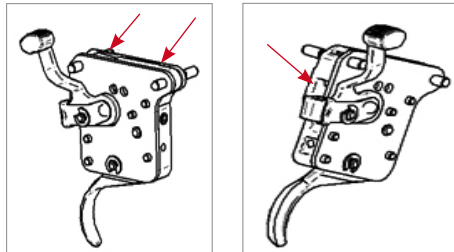
Sicherheitshinweis:

Führen Sie diese Tests niemals mit geladener Waffe durch.

14. WARTUNG DES AUSLÖSERS

Der Auslöser muss regelmäßig geschmiert werden, um eine angemessene Erhaltung desselben zu gewährleisten.

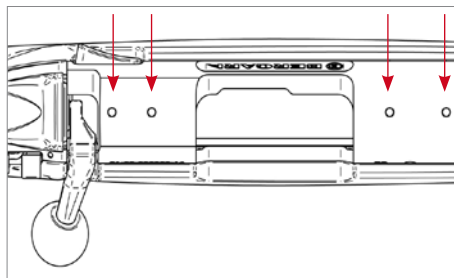
Es wird empfohlen, mit einem feinen flüssigen Schmiermittel zu sprühen und keine Festschmierstoffe wie Vaseline anzuwenden.



15. MONTAGE DES ZIELFERNROHRS

Das Gehäuse hat 4 Gewindebohrungen. Die kommerziellen, für die Remington® 700™ gültigen Schienen eignen sich für die BERGARA B14. Verwenden Sie Ringe von angemessener Höhe.

Bei der Installation der Schiene oder des Rings des Zielfernrohrs wird empfohlen, einen mit Loctite® 242 vergleichbaren Gewindeblockierer zu verwenden. Dies verhindert, dass sich das Ziel-



fernrohr durch den Rückstoß im Lauf der Zeit lockert.

15. MONTAGE DES ZIELFERNROHRS

Folgen Sie zur Installation des Zielfernrohrs den vom Hersteller der Zielfernrohre zur Verfügung gestellten Anweisungen.

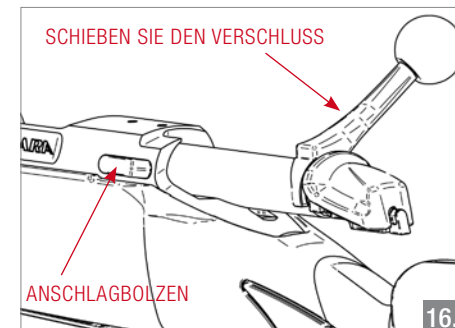
Versichern Sie sich, dass Sie zur Befestigung der Schienen die Schrauben der richtigen Länge verwenden. Die Schrauben dürfen nicht im inneren Teil des Gehäuses herausragen. Normalerweise sind die beiden vorderen Schrauben länger als die hinteren. Der Austausch der Position der Schrauben kann Probleme im Betrieb der Waffe verursachen.

Sicherheitshinweis: *Schießen Sie stets mit Schutzbrille. Installieren Sie das Zielfernrohr nicht zu nah am Auge. Durch den Rückstoß kann das Zielfernrohr das Gesicht des Schützen treffen und diesen verletzen. Ein praktischer Tipp: Überprüfen Sie, dass die Faust des Schützen zwischen dem Auge und dem Zielfernrohr Platz hat. Ist der Augenabstand der Zielfernrohre zu kurz, tauschen Sie diesen durch einen höheren Augenabstand aus.*

16. DEMONTAGE DER WAFFE ZU DEREN REINIGUNG

Folgen Sie bei der Demontage der Waffe zu deren Reinigung oder Inspektion den folgenden Schritten (**Abb. 16.1**):

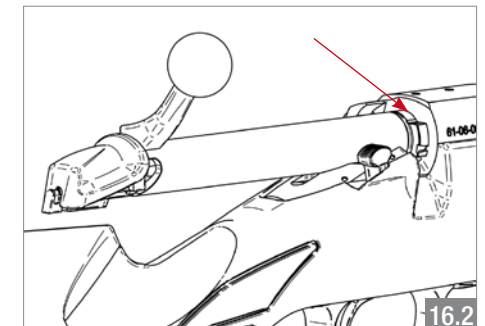
- Entleeren Sie die Waffe durch Öffnen des Magazin-fachs oder entfernen Sie das abnehmbare Magazin.
- Positionieren Sie den Verschluss ca. 25 mm (1 Zoll) vor dessen Anschlag.
- Drücken Sie die Entriegelung des Anschlagbolzens und entfernen Sie den Verschluss.



- Überprüfen Sie, dass keine Munition vorhanden ist, indem Sie das Innere des Laufs von der Seite des Patronenlagers aus begutachten.

Für die Montage der demontierten Waffe (**Abb. 16.2**):

- Drücken Sie die Entriegelung des Anschlagbolzens und geben Sie den Verschluss ein. Drehen Sie den Verschluss, bis dieser an den Kanal angepasst ist.
- Überprüfen Sie, dass das Magazin-fach geschlossen ist. Ist dies nicht der Fall, schließen Sie



17. REINIGUNG UND WARTUNG

Im Allgemeinen ist die B14 eine wartungsfreundliche Waffe. In diesem Abschnitt finden Sie alle notwendigen Informationen, um die Büchse in gutem Zustand zu halten.

Wird die Büchse nach dem Schießen nicht ordnungsgemäß innerhalb von 24 Stunden gereinigt, beginnt Korrosion an einigen Waffenkomponenten aufzutreten. In feuchten Umgebungen ist das Auftreten der Korrosion noch wahrscheinlicher als unter normalen Bedingungen.

Aus diesem Grund wird es empfohlen, die folgenden Teile regelmäßig zu reinigen, insbesondere nach einem Tag auf der Jagd oder dem Schießplatz (konsultieren Sie stets die vom Hersteller der verwendeten Chemikalien bereitgestellten Anweisungen):

Lauf

Die hohe Qualität des Laufs Ihrer Büchse von Bergara erfordert eine ordnungsgemäße Pflege, um die Präzision beizubehalten. Sie sollten den folgenden Ratschlägen folgen:

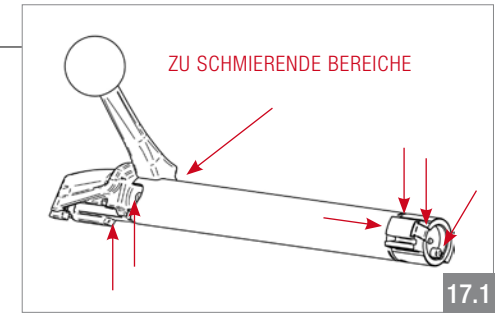
- Die Richtung der korrekten Reinigung verläuft vom Patronenlager bis zur Spitze des Laufs. Reinigen Sie den Lauf in entgegengesetzter Richtung, wird die Präzision spürbar beeinträchtigt.
- Verwenden Sie wenn möglich einen einteiligen und qualitativ hochwertigen Reinigungsstab, um Beschädigungen am Schaft zu vermeiden.
- Verwenden Sie geeignete Reinigungsmittel, um den Lebenszyklus des Laufs zu verlängern.
- Versuchen Sie, eine hohe Konzentration von Kupfer in der Seele zu vermeiden. Dies reduziert die Präzision erheblich.
- Zur Reinigung des Schaftes wird die Verwendung einer qualitativ hochwertigen Bürste empfohlen. Verwenden Sie keine Bürsten aus Edelstahl.
- Es wird dringend empfohlen, auch das Patronenlager zu reinigen. Verwenden Sie eine angemessene Bürste.
- Wischen Sie den Schaft nach dessen Reinigung mit einem in Waffenöl getränkten Patch (ein Stück Stoff) zur Vermeidung von Rostbildung ab. Verwenden Sie vor dem Schießen ein trockenes Patch, um das Öl zu entfernen und den Schaft nicht zu beschädigen.

Wichtig: Die Ölrreste im Innern des Laufs zum Zeitpunkt des Schusses können Überdruck verursachen.

- Überprüfen Sie regelmäßig, ob die Spitze des Laufs (Crowning) nicht beschädigt ist, da dies die Präzision spürbar beeinträchtigt.

Gehäuse (System) und Verschluss

- Reinigen Sie den kompletten Verschluss und das Innere des Gehäuses mit einem Lappen, der in zur Entfernung von Rückständen geeigneten Produkt getränkt wurde.
- Reinigen Sie die Oberfläche des Verschlusses und den Auszieher mit einer Bürste. Reinigen Sie außerdem den exponierten Bereich des Schussmechanismus und die Zapfen des Verschlusskopfes.
- Der Körper des Verschlusses, die Zapfen, der Schlagbolzenkanal und der Sicherheitsverschluss sollten geschmiert oder gefettet werden. Der Auswerfer und der Auszieher sollten regelmäßig mit einem angemessenen Tropfen Öl geschmiert werden (**Abb. 17.1 und 17.2**) bis ein sehr dünner Ölfilm entsteht.



Kolben

- Zur Entfernung des äußeren Staubs kann ein feiner Pinsel verwendet werden.
- Der synthetische Kolben kann leicht mit einem feuchten Mikrofaser Tuch gereinigt werden.
- Der Kolben aus Holz wurde im Werk mit Öl behandelt. Üblicherweise ist das Trocknen nur nach dem Gebrauch notwendig, obwohl es angebracht ist, den Kolben gelegentlich mit einem guten Kolbenöl zu behandeln, um diesen in einem guten Zustand zu erhalten.
- Schmieren Sie nach der Reinigung alle freigelegten metallischen Teile der Büchse.

18. LAGERUNG

- Bewahren Sie die Waffe in einem Safe einschließlich einer Methode zur Reduktion der relativen Luftfeuchtigkeit innerhalb desselben auf.
- Entnehmen Sie die Waffe gelegentlich ihrem Lagerort und reinigen Sie diese.
- Befolgen Sie die rechtlichen Vorschriften bezüglich der Waffenlagerung.
- Sollten Sie die Waffe für längere Zeit im Waffenschrank haben, lagern Sie diese entriegelt, mit der entspannten Feder des Schlagbolzens in Ruhestellung.

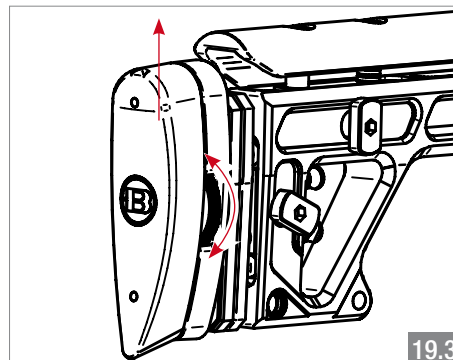
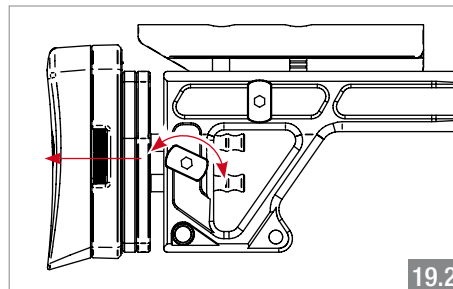
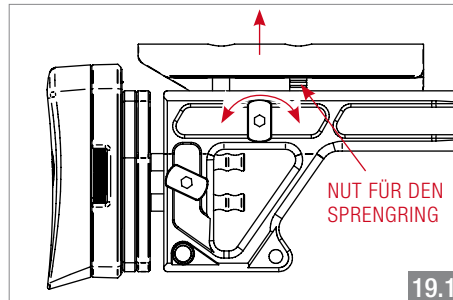
19. B14 MODELL BMP

Der Kolben BMP (Bergara Match Precision) ist aus luftfahrttauglichem Aluminium vom Typ 7075 gefertigt, um während der Benutzung einen fehlerfreien Betrieb zu gewährleisten. In diesem Abschnitt finden Sie die Einzelheiten, die Sie über die Funktionsweise dieses Kolbens wissen müssen.

Einstellung des Kolbens

Der Kolben BMP ist mit 3 Einstellungssystemen ausgestattet, die es dem Bediener ermöglichen, diesen nach seinem Geschmack je nach dem Körperbau und der Anschlagposition eines jeden Schützen anzupassen

- Der Backen kann in der Höhe verstellt werden. Drehen Sie die Einstellschraube nach links, um den Backen zu entsperren, bewegen Sie diesen auf die gewünschte Höhe und drehen Sie schließlich die Einstellschraube nach rechts, um den Schafrücken auf dessen Platz zu befestigen. Die vordere Führung besteht aus Nuten, um die Sprengringe einzusetzen und so sicherzustellen, dass die Position des Backens bei der Montage nach der vollständigen Demontage stets dieselbe sei (Abb. 19.1).
- Diese Büchse kann auf 5 unterschiedliche Längen eingestellt werden. Drehen Sie die Einstellschraube nach links, um das System zu entsperren, bewegen Sie die Schaftkappe bis auf eine dieser Positionen und drehen Sie die Schraube nach rechts, um diese erneut zu befestigen. (Abb. 19.2)
- Die Schaftkappe kann je nach Bedarf des Bedieners gedreht und in der Höhe verstellt werden. Drehen Sie den Regler nach links, um diesen zu entsperren, positionieren Sie diesen nach Bedarf und drehen Sie den Regler nach rechts, um die Schaftkappe erneut zu blockieren. (Abb. 19.3)



Der Kolben BMP bietet die Möglichkeit, AR-15 Elemente zu integrieren:

- Griff.
- Hinterer Teil (mittels eines Adapters).
- Diverses Zubehör (Picatinny-Schienen, Bipode...)

19. B14 MODELL BMP

Laden der Büchse

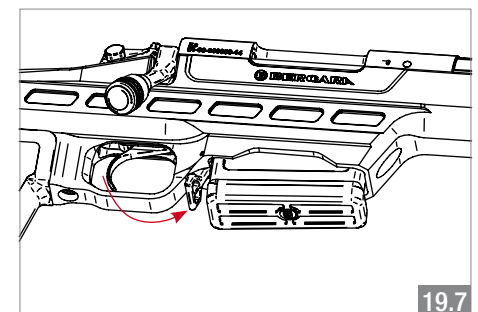
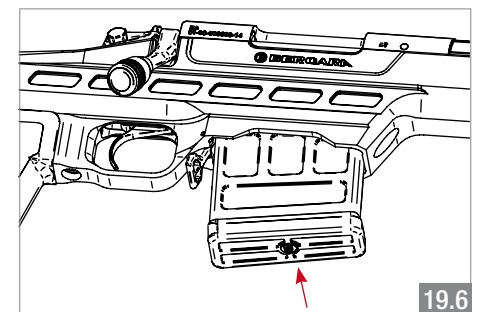
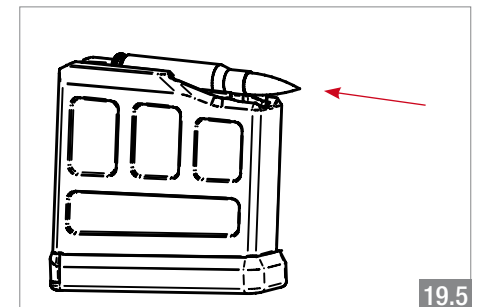
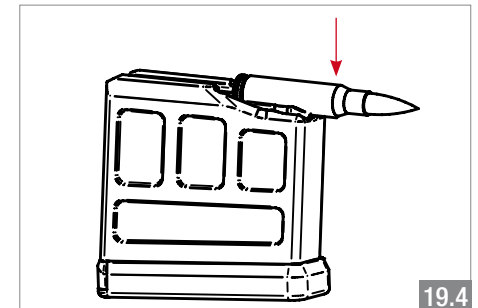
Das Magazin des Kolbens BMP wird wie folgt geladen:

- Versorgen Sie das Magazin über die obere Öffnung mit der entsprechenden Munition. Drücken Sie dazu die Patrone nach unten (Abb. 19.4). Sobald die Patrone den Boden berührt, schieben Sie diese nach hinten (Abb. 19.5). Die Kapazität des Magazins beträgt 5 Patronen + 1 in dem Patronenlager. Werden diese Handlungen nicht ordnungsgemäß ausgeführt, können Probleme im Betrieb der Waffe auftreten.

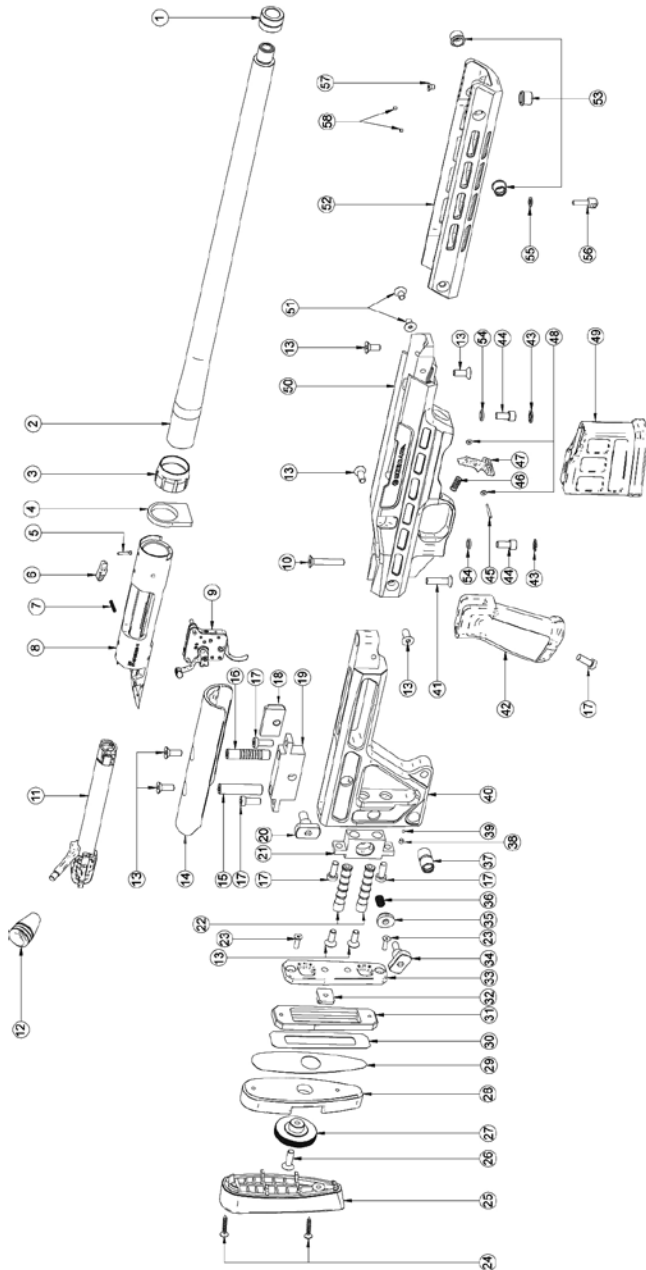
Sicherheitshinweis:

Überprüfen Sie zweimal, dass die Munition, die Sie laden, die richtige ist. Der Lauf der Büchse hat das an der Seite gekennzeichnete Kaliber. Das Verschießen von Munition eines Kalibers, das von dem auf dem Lauf gekennzeichneten Kaliber abweicht, ist extrem gefährlich und kann zu schweren Unfällen führen.

- Um das Magazin in dessen Position zu bringen, schieben Sie dieses innerhalb des Abzugsbügels bis zum Anschlag, mit dem Munitionsauslass nach oben (Abb. 19.6). Ein leichtes Neigen des Magazins nach vorne macht die Platzierung einfacher.
- Den Hebel im hinteren Teil des Abzugsbügels betätigen, um das Magazin zu entsperren. (Abb. 19.7)



20. BESCHREIBUNG B14 MODELL BMP

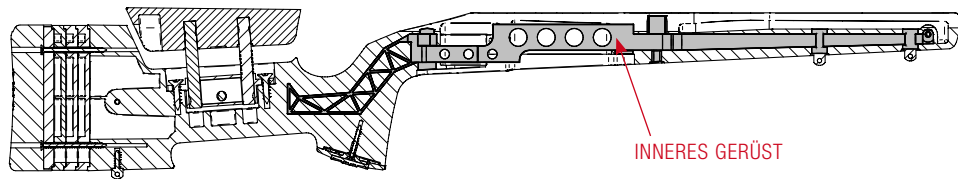


20. BESCHREIBUNG B14 MODELL BMP

ART.-NR.	BESCHREIBUNG	ART.NR.	BESCHREIBUNG
1	Gewindeabdeckung	30	Aufkleber der Führung
2	Lauf	31	Führung der Verstellmutter
3	Schraubenmutter Lauf	32	Verstellmutter Rückstoßkappe
4	Rückstoßlager	33	Halterung der Führungen
5	Verschlussfangschraube	34	Einstellschraube der Rückstoßkappe
6	Verschlussfanghebel	35	Befestigungsmutter der Rückstoßkappe
7	Verschlussfangfeder	36	Klemmfeder der Rückstoßkappe
8	Verschlusshülse	37	Halterung hinterer Tragriemen
9	Abzugmechanismus	38	Gewindestift
10	Verbindungsschraube Kolben	39	Haltekugel der Halterung
11	Verschlusskörperkomplex	40	Hinterer Teil
12	Kammerstängelkugel	41	Verbindungsschraube des Kolbens
13	Verbindungsschraube des Schafrückens	42	Pistolengriff
14	Schafrücken	43	Anschlagschraube
15	Hintere Führung Schafrücken	44	Gehäuseschraube
16	Vordere Führung Schafrücken	45	Hebelstift
17	Befestigungsschrauben der Basen	46	Hebelfeder
18	Befestigungsmutter des Schafrückens	47	Hebel
19	Basis der Führungen des Schafrückens	48	Unterlegscheibe Hebel
20	Einstellschraube Schafrücken	49	Magazin
21	Basis der Führungen der Rückstoßkappe	50	Mittlerer Teil
22	Führung der Rückstoßkappe	51	Verbindungsschraube Kolben
23	Befestigungsschraube von Teilen	52	Handschutz
24	Schloßschraube der Rückstoßkappe	53	Halterung vorderer Tragriemen
25	Rückstoßkappe	54	Unterlegscheibe des Gehäuses
26	Einstellschraube Rückstoßkappe	55	Kunststoffscheibe
27	Einstellrad Rückstoßkappe	56	Vorderer Tragriemen
28	Halterung Rückstoßkappe	57	Befestigungsschraube Halterung
29	Gummiaufkleber der Halterung	58	Gewindestift

21. B14 MODELL HMR

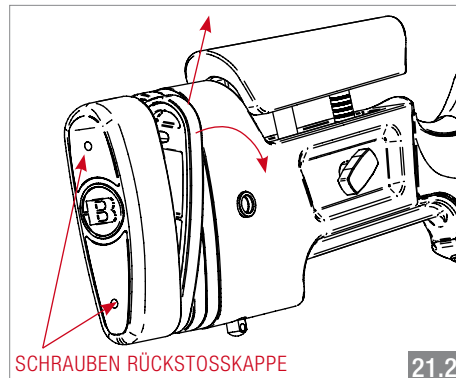
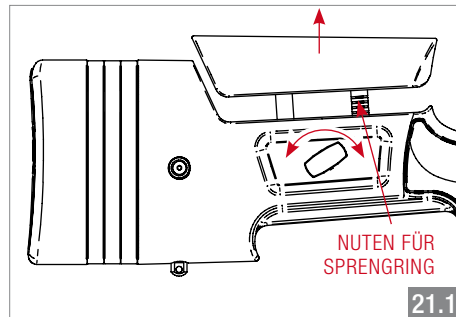
Der Kolben HMR (Hunting Match Rifle) ist mit einem inneren Gerüst aus Aluminium ausgestattet, welches ihn perfekt für die Jagd auf hohe Distanzen (long range) macht. In diesem Abschnitt finden Sie die Einzelheiten, die Sie über die Funktionsweise dieses Kolbens wissen sollten.



Einstellung des Kolbens

Der Kolben HMR ist mit Längeneinstellung und Regulierung des Backens ausgestattet, die es dem Bediener ermöglicht, diesen nach seinem Geschmack je nach Körperbau und Anschlagposition anzupassen.

- Der Backen kann sehr einfach in der Höhe verstellt werden. Drehen Sie die Regulierungsschraube nach links, um den Backen zu entsperren, bringen Sie diesen auf die gewünschte Höhe und drehen Sie die Regulierungsschraube schließlich nach rechts, um den Backen auf dessen Platz zu befestigen. Die vordere Führung besteht aus Nuten, um Sprengringe einlegen zu können und so sicherzustellen, dass die Position des Backens bei der Montage nach vollständiger Demontage stets dieselbe ist. (Abb. 21.1)
- Diese Büchse ist verstellbar auf 4 verschiedene Längen. Der Kolben kann durch Hinzufügen von Abstandhaltern verlängert oder durch Entfernen dieser verkürzt werden. Lö-



sen Sie die Schrauben der Rückstoßkappe, drehen Sie die Abstandhalter am oberen Teil, um diese zu entfernen, und ziehen Sie die Schraube erneut fest. (Abb. 21.2)

21. B14 MODELL HMR

Laden der Büchse

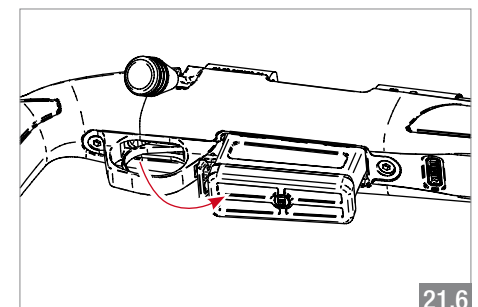
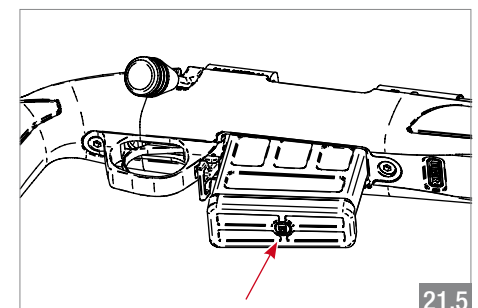
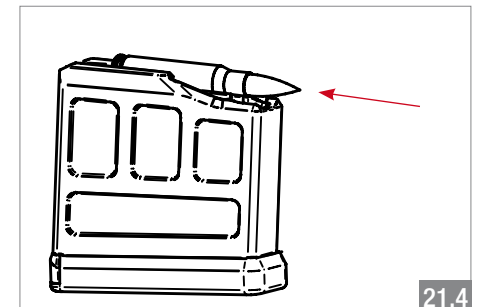
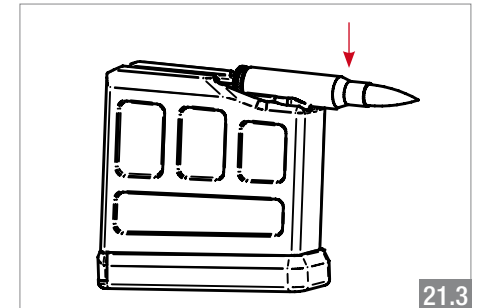
Das Magazin des Kolbens HMR wird wie folgt geladen:

- Versorgen Sie das Magazin über die obere Öffnung mit der passenden Munition. Drücken Sie dazu die Patrone nach unten (Abb. 21.3) Sobald die Patrone den Boden berührt, schieben Sie diese nach hinten (Abb. 21.4). Die Kapazität des Magazins beträgt 5 Patronen + 1 in dem Patronenlager. Werden diese Handlungen nicht ordnungsgemäß ausgeführt, können Probleme bei der Nutzung der Waffe auftreten.

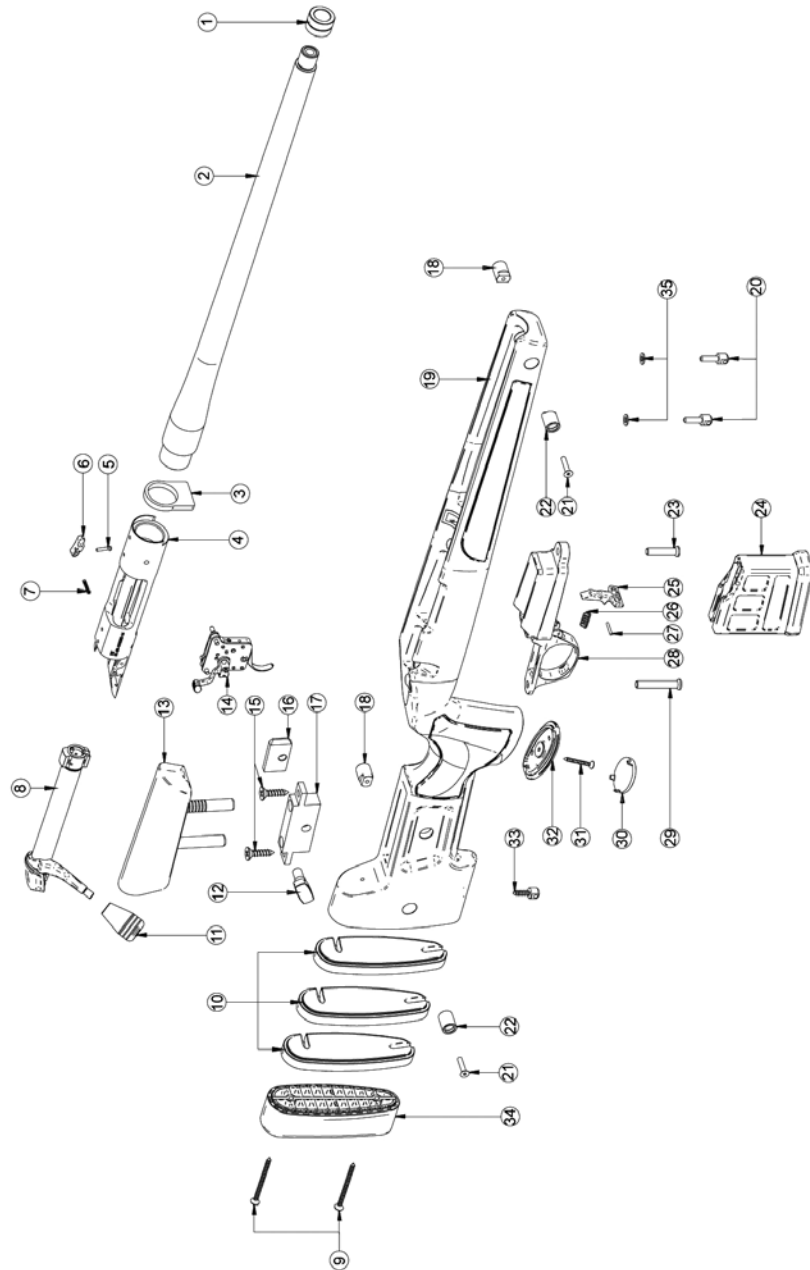
Sicherheitshinweis:

Überprüfen Sie zweimal, ob die geladene Munition korrekt ist. Der Lauf der Büchse hat das an der Seite gekennzeichnete Kaliber. Das Verschießen von Munition eines Kalibers, das von dem auf dem Lauf gekennzeichneten Kaliber abweicht, ist extrem gefährlich und kann zu schweren Unfällen führen.

- Um das Magazin in dessen Position zu bringen, schieben Sie dieses innerhalb des Abzugsbügels bis zum Boden, mit dem Munitionsauslass nach oben (Abb. 21.5). Ein leichtes Neigen des Magazins nach vorne gestaltet die Platzierung einfacher.
- Ein leichtes Neigen des Magazins nach vorne gestaltet die Platzierung einfacher. (Abb. 21.6)



22. BESCHREIBUNG B14 MODELL HMR



22. BESCHREIBUNG B14 MODELL HMR

ART.-NR.	BESCHREIBUNG	ART.-NR.	BESCHREIBUNG
1	Gewindeabdeckung	19	Kolben
2	Lauf	20	Regler des vorderen Tragriemens
3	Rückstoßlager	21	Befestigungsschraube der Halterungen
4	Gehäuse	22	Halterung Tragriemen rechts
5	Verschlussfangschraube	23	Vordere Schraube des Kolbens
6	Verschlussfanghebel	24	Magazin
7	Verschlussfangfeder	25	Magazinhebel
8	Verschlusskörpergruppe	26	Feder des Magazinhebels
9	Schlossschraube Schaftkappe	27	Stift des Magazinhebels
10	Abstandhalter Schaftkappe	28	Abzugsschloss
11	Riegelgriff	29	Hintere Schraube des Kolbens
12	Einstellschraube Backe	30	Schutzdeckel
13	Backe	31	Befestigungsschraube des Schutzes
14	Abzugmechanismus	32	Schutz
15	Schlossschraube zur Befestigung der Basis	33	Regler des hinteren Riemenhalterung
16	Befestigungsmutter des Schaftrückens	34	Rückstoßkappe
17	Basis Führung der Backe	35	Kunststoffscheibe
18	Halterung Tragriemen links		

23. HÄUFIG GESTELLTE FRAGEN, URSACHEN UND LÖSUNGEN

PROBLEM	URSACHE	LÖSUNG
Die Waffe ist geladen, ich drücke den Abzug, aber es löst sich kein Schuss	Fehlerhafte Munition	Versuchen Sie es mit anderer Munition
	Der Schlagbolzen tritt nicht weit genug hervor oder tut dies mit wenig Kraft	Kontaktieren Sie den technischen Kundendienst (SAT) von Bergara
	Beschädigter Schlagbolzen	
Die Patrone passt nicht in das Patronenlager	Falsches Munitionskaliber	Versichern Sie sich, dass die Munition das korrekte Kaliber hat
	Die Büchse ist bereits geladen	Entnehmen Sie die eingegebene Hülse sehr vorsichtig
	Etwas blockiert das Patronenlager oder das Patronenlager ist sehr schmutzig	Reinigen Sie das Patronenlager sorgfältig
	Beschädigtes Patronenlager	Kontaktieren Sie den SAT von Bergara
Ich kann den Kammergriff nicht umlegen	Schmutziges Patronenlager (Hülsenreste...)	Reinigen Sie das Patronenlager, ansonsten kontaktieren Sie den SAT von Bergara
	Sie haben Munition eines anderen Kalibers verwendet	Verwenden Sie die richtige Munition
	Auswerfer blockiert, steif	Tragen Sie Öl auf, bewegen Sie den Auswerfer von Hand und bessert es sich nicht, kontaktieren Sie den SAT von Bergara
Die Waffe gibt beim Schließen des Verschlusses einen Schuss ab	Auslöser beschädigt oder verstellt	Stoppen Sie unverzüglich, sehr gefährlich. Kontaktieren Sie den SAT von Bergara
Die Waffe feuert ab, obwohl die Sicherung aktiviert ist	Achtung! Sehr gefährlich. Defekter Abzug	Kontaktieren Sie den SAT von Bergara
Die Büchse hat abgefeuert, wirf aber die Hülse nicht aus	Der Auszieher funktioniert nicht richtig	Kontaktieren Sie den SAT von Bergara
		Überprüfen Sie, dass der Auswerfer ordnungsgemäß "federt"
		Überprüfen Sie, ob der Auswerfer nicht beschädigt ist
		Trifft eine der beiden Umstände zu, kontaktieren Sie den SAT von Bergara
	Defekte Hülse	Versuchen Sie es mit anderer Munition
Beschädigtes Patronenlager	Kontaktieren Sie den SAT von Bergara	

23. HÄUFIG GESTELLTE FRAGEN, URSACHEN UND LÖSUNGEN

PROBLEM	URSACHE	LÖSUNG
Ich kann die Patronen nicht in das Magazin eingeben	Zubringer fehlerhaft positioniert	Positionieren Sie den Zubringer ordnungsgemäß
	Patronen falsch eingegeben	Bei Eingabe der Patrone muss sichergestellt werden, dass der Geschossboden den hinteren Teil des Magazins berührt. Das heißt, die Kugel muss nach unten und nach hinten geschoben werden, wie auf der Seite 72 dieses Handbuchs beschrieben
	Falsches Munitionskaliber	Versichern Sie sich, dass das Kaliber mit dem des Laufs übereinstimmt
Die Büchse feuert ab, stößt die Hülse aus, wirft diese aber nicht ab	Schmutz oder Rost im Auswerfer	Reinigen Sie ordnungsgemäß und schmieren Sie den Bereich
	Der Auswerfer funktioniert nicht ordnungsgemäß	Überprüfen Sie, dass der Auszieher ordnungsgemäß "federt" Überprüfen Sie, dass der Auszieher nicht beschädigt ist Trifft eine der beiden Umstände zu, kontaktieren Sie den technischen Kundendienst von Bergara
Ich kann die untere Klappe des Magazins nicht öffnen	Schmutz oder mangelhafte Wartung	Reinigen Sie den Bereich und fetten Sie diesen danach mit Ölspray ein
Ich kann die Klappe des Magazins nicht schließen	Defekt im Zubringer oder in der Feder	Kontaktieren Sie den SAT von Bergara
Die Büchse nimmt die Patronen des Magazins nicht an	Schmutz oder mangelhafte Wartung	Reinigen Sie den Bereich und fetten Sie diesen danach mit Ölspray ein
	Defekt im Zubringer oder in der Feder	Kontaktieren Sie den SAT von Bergara
	Patronen falsch in das Magazin eingegeben	Entnehmen Sie die Kugeln und versorgen Sie das Magazin erneut. Stellen Sie sicher, dass die Kugeln korrekt eingesetzt werden, wie auf der Seite 72 dieses Handbuchs beschrieben
	Defekt im Zubringer oder in der Feder	Kontaktieren Sie den SAT von Bergara

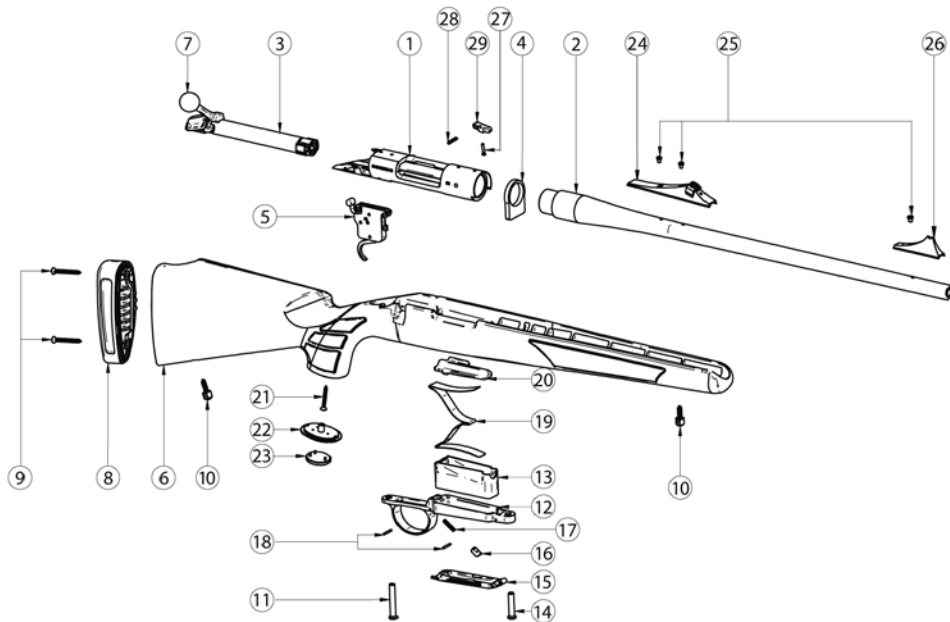
23. HÄUFIG GESTELLTE FRAGEN, URSACHEN UND LÖSUNGEN

PROBLEM	URSACHE	LÖSUNG
Der Verschluss tritt ohne Betätigung des Seitenhebels (Anschlagbolzen) heraus	Der Anschlagbolzen ist beschädigt	Kontaktieren Sie den SAT von Bergara
Hintere Kappe verdreht	Unbeabsichtigte Drehung, als sich der Riegel außerhalb befand	Drehen Sie die Kappe per Hand auf ihre Position
Der Auslöser geht sehr schwer	Auslöser ist falsch eingestellt, Schmutz oder Auslöser defekt	Regulierung des Auslösers durch einen qualifizierten Büchsenmacher oder kontaktieren Sie den Technischen Kundendienst von Bergara
Der Verschluss lässt sich nur sehr schwer bewegen	Schmutz, fehlerhafte Schmierung	Entnehmen Sie den Verschluss heraus und reinigen Sie ihn und die Kammer sorgfältig
	Verschluss beschädigt	Kontaktieren Sie den SAT von Bergara
Die Waffe verrostet	Unsachgemäße Wartung der Büchse	Entfernen Sie den Rost und das Öl von der Waffe Oder kontaktieren Sie den technischen Kundendienst von Bergara
Es fällt schwer, den Hebel anzuheben	Schmutz oder unsachgemäße Wartung	Reinigen und schmieren Sie ordnungsgemäß
	Umpassende Munition, die Überdruck verursacht	Verwenden Sie kommerzielle Munition
	Problem im Mechanismus der Büchse	Kontaktieren Sie den SAT von Bergara
Die Kammergriffkugel ist lose	Gewindebruch	Kontaktieren Sie den SAT von Bergara
	Von dessen Gehäuse gelöst	Verwenden Sie ein Gewindefestigungsprodukt, um die Kugel erneut einzustellen

23. HÄUFIG GESTELLTE FRAGEN, URSACHEN UND LÖSUNGEN

PROBLEM	URSACHE	LÖSUNG	
Schüsse werden nicht gruppiert	Falsche Munition	Versuchen Sie es mit anderer Munition	
	Wiedergeladene Munition		
	Ist Ihnen die Waffe heruntergefallen?	Überprüfen Sie den ordnungsgemäßen Zustand der Waffe und des Zielfernrohrs. Ist alles OK und die Büchse gruppiert nicht, kontaktieren Sie den SAT von Bergara zur Schadensbeurteilung und für die Garantie	
	Schmutz oder Rost im (insbesondere nahe der Mündung des Laufs)	Schmutz im Patronenlager	Reinigen Sie den Lauf ordnungsgemäß nach dieser Betriebsanleitung
		Zielfernrohr schlecht befestigt (Basis, Ringe, Visier)	Stellen Sie sicher, dass die Zielvorrichtung gut mit einem Drehmoment von 7 Nm befestigt ist
	Stoß an der Mündung des Laufs (Crowning)	Kontaktieren Sie den SAT von Bergara	
	An den Lauf montiertes Zubehör (außer offene Zielfernrohre oder Visier)	Das an den Lauf montierte Zubehör demontieren	
	Der Lauf berührt den Kolben. Ohne Auftrieb	Kontaktieren Sie den SAT von Bergara	
	Der Kolben ist nicht gut befestigt	Stellen Sie sicher, dass die Schrauben richtig festgezogen sind	
	Auslöser sehr schwergängig	Kontaktieren Sie den SAT von Bergara	
	Beschädigtes Patronenlager		
	Defekte Schließung Verschluss-Kammer-Lauf		

24. ALLGEMEINE BESCHREIBUNG

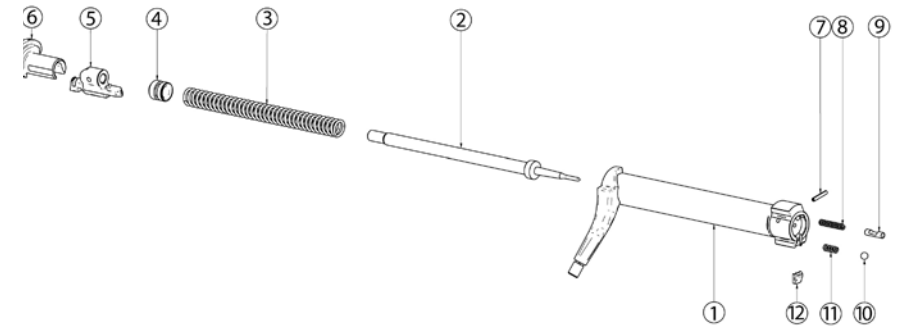


ART.-NR.	BESCHREIBUNG	ART.-NR.	BESCHREIBUNG
----------	--------------	----------	--------------

- | | | | |
|----|---------------------------------|-----|--------------------------------------|
| 1 | Gehäuse | 16 | Entriegelungstaste Magazin |
| 2 | Lauf | 17 | Feder der Entriegelungstaste |
| 3 | Verschlusskörpergruppe | 18 | Stifte Abzugsschloss |
| 4 | Rückstoßlager | 19 | Magazinfeder |
| 5 | Abzugmechanismus | 20 | Zubringer |
| 6 | Kolben | 21 | Befestigungsschraube des Schutzes |
| 7 | Riegelgriff | 22 | Schutz |
| 8 | Rückstoßkappe | 23 | Schutzdeckel |
| 9 | Schlossschraube der Schaftkappe | 24* | Visiergruppe |
| 10 | Regler des Tragriemens | 25* | Schraube Visier-Zielfernrohr |
| 11 | Hintere Schraube des Kolbens | 26* | Visiergruppe |
| 12 | Abzugsschloss | 27 | Verschlussfangschraube |
| 13 | Magazin | 28 | Verschlussfangfeder des Verschlusses |
| 14 | Vordere Schraube des Kolbens | 29 | Verschlussfanghebel |
| 15 | Magazinfach | | |

* Visiere und Zielfernrohre sind nur in einigen Einstellungen verfügbar

24. ALLGEMEINE BESCHREIBUNG

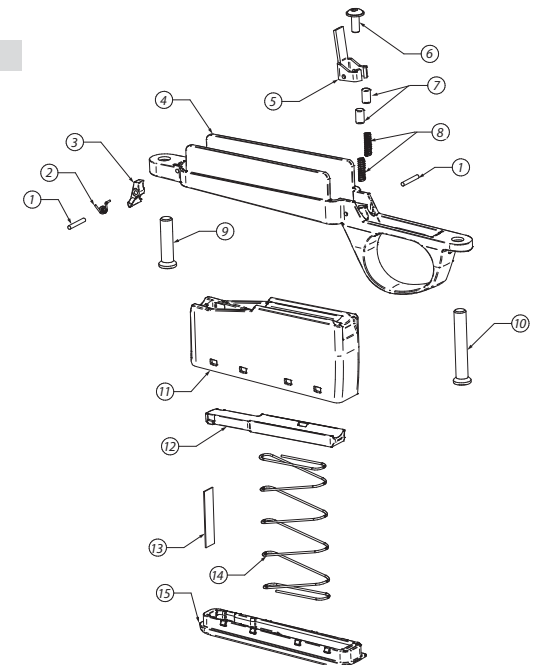


ART.-NR.	BESCHREIBUNG	ART.-NR.	BESCHREIBUNG
----------	--------------	----------	--------------

- | | | | |
|---|-----------------------------|----|----------------|
| 1 | Verschlusskörper | 7 | Auswerferstift |
| 2 | Schlagbolzen | 8 | Auswerferfeder |
| 3 | Schlagbolzenfeder | 9 | Auswerfer |
| 4 | Schlagbolzenbuchse | 10 | Auszieherkugel |
| 5 | Schlagbolzenhaken | 11 | Auszieherfeder |
| 6 | Abdeckung des Schlagbolzens | 12 | Auszieher |

ART.-NR.	BESCHREIBUNG
----------	--------------

- | | |
|----|--------------------------------|
| 1 | Stift Abzugsschloss |
| 2 | Feder Hebel |
| 3 | Spannhebel Magazin |
| 4 | Abzugsbügel Magazin |
| 5 | Magazin Druckplatte |
| 6 | Einstellschraube |
| 7 | Druckstift |
| 8 | Schubfeder |
| 9 | Vordere Schraube des Kolbens 1 |
| 10 | Hintere Schraube des Kolbens |
| 11 | Magazinkörper |
| 12 | Zubringer |
| 13 | Magazinblech |
| 14 | Magazinfeder |
| 15 | Magazindeckel |



25. GARANTIE

Bitte richten Sie Ihre Fragen bezüglich der Garantie an:
Für die USA / Kanada:

Info@bergararifles.com
contact@bergarausa.com

Oder per Post an: **DIKAR S. Coop**
Ugarte, 26
20570 Bergara - Gipuzkoa (Spain)

Bergara North America
BPI Outdoors
1270 Progress Center Ave. Suite 100
Lawrenceville, GA 30043

Die Büchse B14 ist auf Lebenszeit gegen alle Herstellungsfehler versichert. Diese Garantie gilt ausschließlich für den Erstkäufer und ist nicht übertragbar. Diese Garantie deckt keine Abnutzung und üblichen Verschleiß, die Verarbeitung des Metalls oder des Holzes, den unsachgemäßen oder zweckentfremdeten Gebrauch, Sachschäden, die Kosten für entstandene Benachteiligungen oder die Nichtbenutzung ab.

Diese Garantie verleiht Ihnen bestimmte gesetzliche Rechte, und Sie können möglicherweise auch andere Rechte haben, die von Staat zu Staat oder von Land zu Land variieren. Neben den in den verschiedenen Abschnitten dieses Handbuchs genannten Fällen der Garantierücknahme entfällt der Anspruch auf Garantie auch, wenn:

- Dritte Personen Reparaturen vorgenommen haben, die in diesem Handbuch nicht autorisiert werden.
- Die Waffe in ungepflegtem Zustand zurückgegeben wird (schmutzig, mit Korrosion...).
- Militärmunition, wiedergeladene Muniton oder durch CIP oder SAAMI nicht autorisierte Muniton verwendet wurde.
- Schäden als Folge der Nichtbeachtung der in diesem Handbuch gegebenen Anweisungen auftreten.

Die Waffe wird mit Identifikation durch deren Seriennummer an der Seite des Gehäuses oder Kammer geliefert.

WICHTIG: Achten Sie im Falle der Rückgabe darauf, dass die Waffe entladen ist!

B BERGARA

Technischer Kundendienst (SAT):

BERGARA

DIKAR S. Coop

Ugarte, 26
20570 Bergara - Gipuzkoa (Spain)
Tel.: +34 943 769 893
info@bergararifles.com
www.bergararifles.com
Facebook: Bergara Rifles Europe
Youtube: bergarainternational

Technischer Kundendienst USA:

Bergara North America

BPI Outdoors
1270 Progress Center Ave. Suite 100
Lawrenceville, GA 30043
800 320-8767
www.bergarausa.com
contact@bergarausa.com
Facebook: Bergara USA
Youtube: Bergara US



1. Introduction	100
2. Sécurité en général	101-102
3. Avant de tirer avec la carabine	103
4. Charger la carabine	104
5. Chargement des munitions avec chargeur amovible	104
6. Fonctionnement du chargeur amovible	105
7. Montage du kit chargeur amovible	105
8. Tirer avec la carabine	106-107
9. Rodage du canon	108
10. Extraction d'une balle bloquée dans le canon	108
11. Usage de munitions militaires	108
12. Ajustage du poids de départ de la détente	109
13. Essais de sécurité du poids de départ de la détente	110
14. Entretien du mécanisme de détente	110
15. Montage de la lunette de tir	110
16. Démontage de l'arme pour le nettoyage	111
17. Nettoyage et entretien	112-113
• Canon	112
• Verrou et action	113
• Crosse et devant	113
18. Stockage	113
19. B14 modèle BMP	114-115
• Réglage de la crosse	114
• Approvisionnement de la carabine	115
20. Description B14 modèle BMP	116-117
21. B14 modèle HMR	118-119
• Réglage de la crosse	118
• Approvisionnement de la carabine	119
22. Description B14 modèle HMR	120-121
23. Questions les plus fréquentes, causes et solutions	122-125
24. Descriptions générales	126-127
25. Garanties	128

1. INTRODUCTION ET SÉCURITÉ GÉNÉRALE

Merci d'avoir acheté une carabine a verrou Bergara B14.

Nous espérons que cette carabine comblera toutes vos attentes, et qu'elle vous serve durant plusieurs années toujours avec la même satisfaction.

Lisez ce manuel. Il y a beaucoup de caractéristiques auxquelles vous devez vous familiariser pour pouvoir utiliser l'arme de façon la plus sûre et sécuritaire.

L'avenir du tir sportif dépend de vous...

Les accidents, et le mauvais usage des armes à feu, son des raisons pour interdire le tir en général et les armes en particulier.

Vous serez responsable, recherchez la sécurité et prêtez attention aux conseils de sécurité des autres camarades de tir.

Si après avoir lu les instructions, avertissements et risques détaillés dans ce manuel et que vous n'êtes pas capable d'accepter les responsabilités de la manipulation et du tir avec une arme de façon sécuritaire, retournez l'arme dans le lieu où vous l'avez acheté.

Vous devez prendre en compte toutes les mesures de sécurité pour que l'utilisation de l'arme soit sécuritaire.

2. SÉCURITÉ EN GÉNÉRAL

10 Règles de sécurité pour le maniement de votre arme

- 1 Maintenez toujours la bouche de l'arme pointée vers une direction sûre, même si l'arme est déchargée.
- 2 Soyez sur de votre cible et de ce qu'il y a derrière, avant de viser à n'importe quel endroit.
- 3 Ne jamais se fier à la sécurité mécanique d'une arme.
- 4 L'arme doit être déchargée tant qu'elle n'est pas utilisée.
- 5 Utilisez toujours des protections auditives et oculaires.
- 6 Le canon ne doit pas être obstrué avant le chargement ou le tir.
- 7 Manier toutes armes comme si elle était chargée.
- 8 Stockez les armes et les munitions séparément et dans un endroit fermé à clé.
- 9 Evitez de consommer de l'alcool ou de la drogue avant et pendant l'usage d'une arme.
- 10 Ne modifiez pas votre arme, révisez votre arme régulièrement chez un armurier compétent. Assurez-vous que toutes les pièces fonctionnent avant tout usage.

2. ÉLÉMENTS DE SÉCURITÉ POUR TOUTES LES ARMES

- Ne jamais fumer durant le tir ou le maniement d'une arme ou matériel en relations avec les armes. Les étincelles ou les cendres pourraient faire enflammer la poudre ou les cartouches, provoquant des blessures graves ou la mort.
- Utilisez toujours des protections pour les yeux. Il est possible qu'il sorte des particules de la chambre ou de la bouche de l'arme quand on utilise n'importe quelle carabine.
- Toujours réviser son arme avant de l'utiliser pour s'assurer qu'elle est en bon état de fonctionnement, testez la détente et le système d'ouverture avec précaution avant de charger. Vérifiez que le canon n'est pas obstrué. Toute obstruction pourrait faire exploser le canon causant de graves blessures ou la mort.
- Ne jamais charger une arme avant d'être prêt à tirer. Vous devez retirer les munitions avant de marcher, monter dans un arbre, passer l'arme à une autre personne, sauter un fossé ...
- Ne jamais appuyer une arme contre un mur, un arbre, un véhicule ... une arme chargée qui tombe peut provoquer un tir accidentel de l'arme, pouvant causer de graves blessures ou la mort.
- Ne jamais transporter d'armes chargées dans n'importe quel type de véhicule. Une arme est considérée chargée si une munition est chargée.
- Ne jamais ranger ou stocker une arme chargée. Une arme doit être déchargée et nettoyée avant tout stockage.
- Ne jamais charger une arme sans être sûr que le canon est propre et sans obstructions. Si vous faites tomber votre arme par accident, assurez-vous que rien n'est venu obstruer votre canon.
- Soyez très prudent quand vous chassez depuis un arbre. La chute accidentelle d'une arme pourrait provoquer un tir qui pourrait causer de graves blessures ou la mort. Assurez-vous que l'arme est déchargée avant de descendre de l'arbre.
- Ne jamais se fier à la sécurité mécanique de l'arme ! Les éléments mécaniques pourraient ne pas fonctionner. Considérez toujours une arme comme si elle était chargée, manipulez-la comme si elle était prête à faire feu.
- Utilisez toujours des procédés de nettoyages de l'arme adaptée. Tirer avec un canon mal entretenu ou avec de la corrosion pourrait conduire à des conditions de pressions dangereuses et faire exploser le canon, causant de graves blessures ou la mort.
- Ne jamais diriger la bouche du canon en direction d'une personne. Lorsque vous portez la carabine en bandoulière dirigez toujours le canon vers le haut.
- N'essayez pas de modifier les parties internes de votre arme. Si vous le faites, vous pouvez causer une situation dangereuse causant un tir accidentel avec risque de graves blessures ou la mort. Ce genre de modifications entraîne en général l'annulation de la garantie.
- Ne laissez pas d'armes sans vigilance ou à la portée des enfants. Dans certains pays c'est puni par la loi.

3. AVANT DE TIRER AVEC LA CARABINE

Familiarisez-vous avec l'arme. Apprenez comment elle fonctionne, et comment elle s'utilise sans munition. Recommandations avant d'utiliser la carabine :

- La carabine est livrée emballée avec le verrou démonté de l'action. Avant de monter le verrou vérifiez que la carabine est déchargée et regarder s'il n'y a aucune douille dans la chambre ou obstruction dans le canon.
- Vérifiez qu'il n'y a aucune munition dans le chargeur.
- Nettoyez l'intérieur du canon en fonction des instructions énoncées au chapitre 17 nettoyages et entretien.
- Nettoyez l'huile sur le verrou et sur l'action.
- Introduisez le verrou dans l'action comme indiqué dans le point « démontage des composants de l'arme pour leurs nettoyages » de ce manuel.
- Essayez le bon fonctionnement de la détente en en l'actionnant à plusieurs reprises.
- Une fois que vous avez réalisé tous les points mentionnés ci-dessus, vous pouvez procéder au chargement de l'arme comme indiqué dans le suivant chapitre de ce manuel.
- Nous recommandons un rodage du canon pour la première fois que vous tirez avec la carabine. Le processus de rodage du canon est décrit dans le chapitre « rodage du canon ».

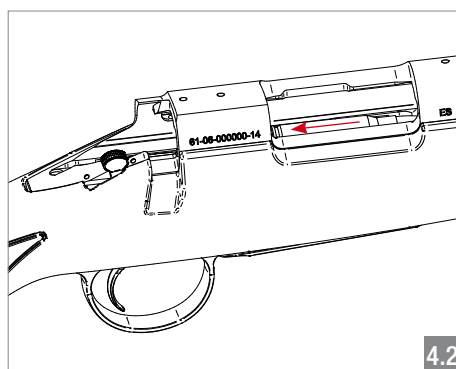
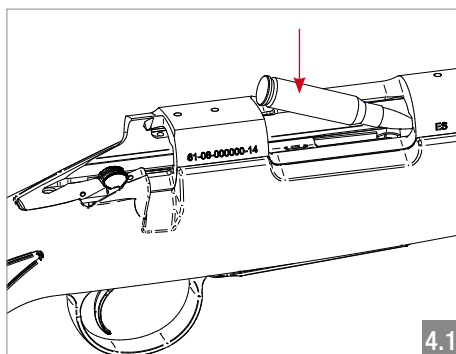
4. CHARGER LA CARABINE

La B14 s'utilise de la manière suivante :

Approvisionnez le chargeur par l'ouverture supérieure de l'action avec la munition adéquate. Pour ça enfoncez la munition vers le bas du chargeur (fig. 4.1). Une fois dedans poussez la cartouche vers l'arrière (fig. 4.2). La capacité du chargeur en calibre standard est de 4 +1 cartouche dans la chambre et 3 + 1 en calibre magnums. Si ces actions ne sont pas effectuées correctement l'arme pourrait rencontrer des problèmes de fonctionnement.

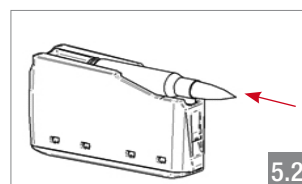
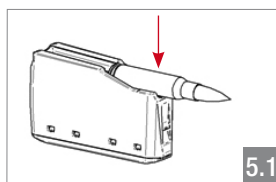
Conseils de sécurité :

Vérifiez bien que la munition qui est chargée est la bonne. Le canon de la carabine dispose d'un marquage du calibre sur le côté. Tirer une munition d'un calibre différent au marquage du canon est très dangereux et peut causer des accidents très graves.



5. CHARGEMENT DES MUNITIONS AVEC CHARGEUR AMOVIBLE

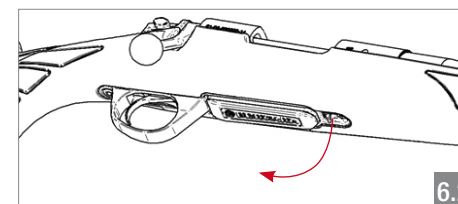
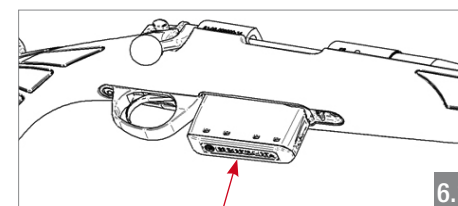
Chargez le chargeur par l'ouverture supérieure avec les munitions correspondantes. Pour ça, enfoncez la munition vers le bas du chargeur (fig. 5.1). Une fois dans le chargeur, poussez la cartouche vers l'arrière jusqu'à ce qu'elle touche la partie arrière. La capacité du chargeur dans les calibres standards est de 3 cartouches et 2 cartouches pour les calibres magnums. Si ces actions ne sont pas effectuées correctement l'arme pourrait rencontrer des problèmes de fonctionnement.



6. FONCTIONNEMENT DU CHARGEUR AMOVIBLE

Pour mettre le chargeur en place, enfoncez le dans le puis de chargeur jusqu'au fond avec la sortie des munitions vers le haut. (fig. 6.1)

Actionnez le bouton à l'avant du pontet pour libérer le chargeur. (fig. 6.2)



7. MONTAGE DU KIT CHARGEUR AMOVIBLE

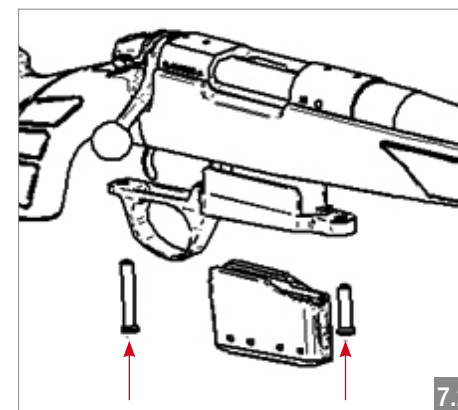
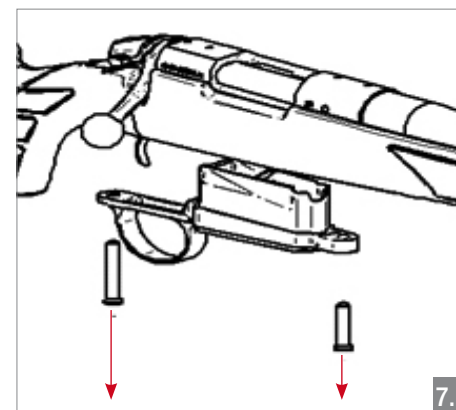
La carabine est disponible avec un kit « chargeur amovible » pour les carabines avec chargeurs inamovibles. Pour une bonne installation de ce kit nous vous recommandons de suivre ces conseils :

• Dévissez les vis qui maintiennent le pontet et enlevez toutes les pièces. (fig. 7.1)

• Apposez le nouveau pontet dans la crosse et fixez le dans la carabine avec les vis adaptées, présents dans le kit. (fig. 7.2)

La force à appliquer pour le serrage des vis est de 6,2 Nm (55 lbs in).

• Insérez le chargeur dans le puis de chargeur.



8. TIRER AVEC LA CARABINE

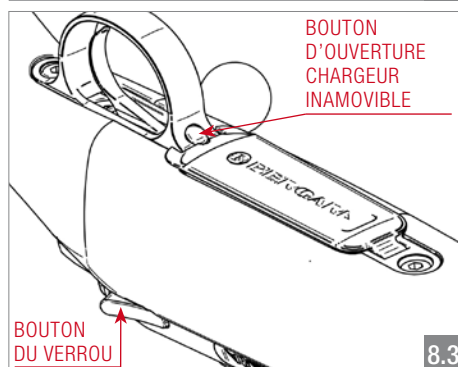
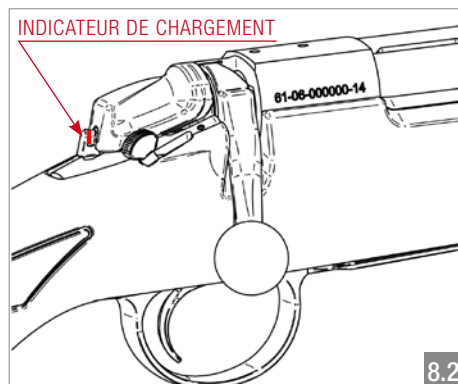
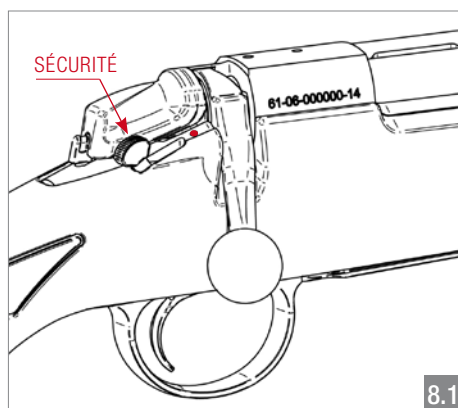
- Sortez le verrou et assurez-vous que l'arme est déchargée, vérifiez aussi que rien n'obstrue le canon, la chambre... et que le chargeur est bien enclenché ou que la bande du chargeur inamovible est bien fermée.
- La sécurité de l'arme ne peut pas être actionnée si le levier de verrou est fermé et que le percuteur n'est pas armé, la carabine n'est pas chargée. Une fois relevé le levier de verrou, vous pouvez mettre votre carabine en sécurité. Mettez votre carabine en sécurité avant d'introduire une cartouche dans la chambre et une fois que le verrou est ouvert. La carabine est en sécurité une fois le levier de sécurité tiré jusqu'au point blanc. (fig. 8.1)
- Fermez le verrou et vérifiez que l'indicateur de chargement rouge est apparent. (fig. 8.2)

Conseils sur la sécurité :

Au chargement de l'arme assurez-vous d'avoir fermé le verrou à fond.

Si la fermeture du verrou l'indicateur de chargement n'est pas apparent, n'utilisez pas la carabine. Emmenez la à un armurier qualifié pour la réviser ou contactez le SAV de Bergara.

- Quand vous êtes prêt au tir, retirez la sécurité en poussant le levier vers l'avant, tirez la détente doucement.



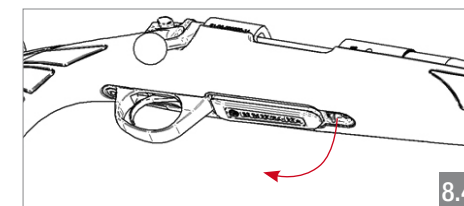
8. TIRER AVEC LA CARABINE

Conseils sur la sécurité :

Si après le tir sur la détente sur une arme chargée la balle de part pas, visez une direction sécuritaire et attendez 30 secondes avant d'ouvrir le verrou. Le verrou doit être ouvert avec de grandes précautions.

Si vous pensez avoir eu un tir défectueux et que la balle n'est pas sortie du canon, enlevez le verrou pour vérifier. Cette situation peut se produire si la poudre est détériorée, elle s'est consumée ou a brûlée partiellement. Dans ce cas emmenez l'arme à un armurier ou contactez le SAV Bergara.

- Une fois que vous avez tiré, ouvrez le verrou jusqu'en butée et assurez-vous d'avoir ex-



pulsée la douille. Il est important de tirer le verrou jusqu'au bout et pas un simple petit mouvement qui pourrait enrayer l'arme.

- Pour désapprovisionner l'arme, retirez le verrou et retirez les munitions en appuyant sur le bouton du chargeur inamovible (fig.8.3) ou retirez le chargeur amovible. (fig. 8.4)
- Vérifiez qu'il n'y a plus de cartouches dans la chambre.

9. RODAGE DU CANON

Durant la fabrication se créent de petites imperfections microscopiques dans le canon. Ces imperfections s'estompent après les séries de tir. Si ces imperfections s'éliminent correctement, le canon s'usera moins, se nettoiera plus facilement sera plus uniforme et surtout plus précis.

Le processus d'élimination de ces imperfections s'appelle « rodage du canon ». Le processus consiste à tirer un tir ou une série de tir et par la suite nettoyer le canon.

Vous devez laisser refroidir le canon avant de commencer à le nettoyer.

Processus de rodage recommandé :

- Sur les 5 premiers tirs nettoyer l'arme entre chaque tir.
- Sur les 50 tirs suivants nettoyer le canon tous les 10 tirs.
- Sur les prochains tirs vous devrez nettoyer votre arme assez souvent.

10. EXTRACTION D'UNE BALLE BLOQUÉE DANS LE CANON

Conseils de sécurité :

N'essayez pas de faire sortir du canon une balle bloquée avec un autre tir car la pression

*créée pourrait détruire l'arme et blesser le tireur. Emmenez l'arme à un armurier qualifié ou contactez le **SAV Bergara**.*

11. USAGE DE MUNITIONS MILITAIRES

La munition militaire comme le 5.56 NATO ou le 7.62 NATO sont généralement différentes des munitions civiles comme le 222 Remington ou le 308 Winchester. Il y a aussi des différences sur la prise de rayure de la chambre

et les pressions de chargement de ces munitions. Ainsi Bergara et l'institut de fabrications des munitions civiles et de munitions recommandent de ne pas utiliser de munitions militaires dans les armes civiles.

12. AJUSTAGE DU POIDS DE DÉPART DE LA DÉTENTE

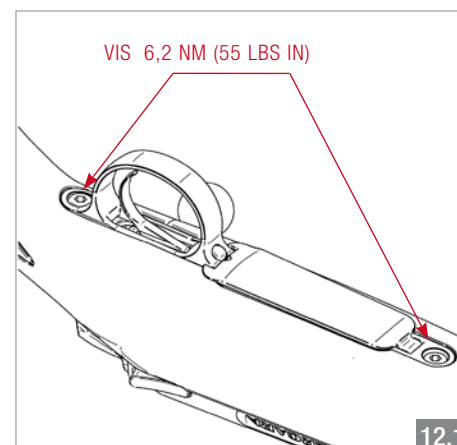
La B14 dispose d'un mécanisme de détente totalement ajustable. Le poids d'origine est de 1 kg (2.2 lbs) . Il peut être ajusté de 1 à 2 kg (2.2-4.4 lbs) dans tous les modèles.

Conseils sur la sécurité :

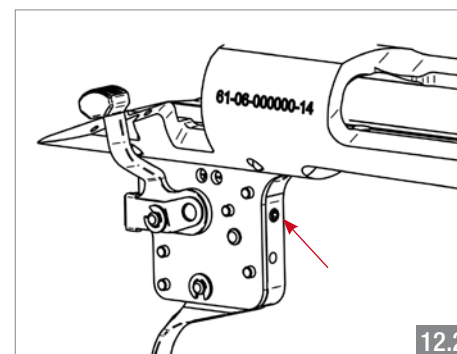
Ne changez pas le mécanisme de détente avec un autre fabriqué par une entreprise différente. Il pourrait correspondre à votre arme, mais il est possible qu'il ne fonctionne pas parfaitement, et que l'arme soit moins sécuritaire. Le changement du mécanisme de détente annule la garantie.

La détente doit être ajustée seulement par un armurier qualifié ou par la fabrique.

- Pour accéder aux vis d'ajustage il est nécessaire de démonter la crosse. Pour ça, sortez la bande du chargeur inamovible et dévissez les vis du garde main (fig. 12.1). En enlevant la crosse, elle pourrait être un peu bloquée et l'opération pourrait durer un peu plus de temps que prévu.
- La vis de régulation du poids de la détente (fig. 12.2) ajuste la force nécessaire pour tirer sur la détente.



12.1



12.2

Conseil sur la sécurité :

Un mécanisme de détente trop légère il peut tirer accidentellement.

13. ESSAIS DE SÉCURITÉ DU POIDS DE DÉPART DE LA DÉTENTE

Après avoir ajusté la détente vous devrez réaliser les essais suivants :

- Fermez le verrou le plus rapidement possible. L'indicateur de chargement devra rester visible. Si ça n'est pas le cas, contactez le SAV Bergara.
- Testez le poids de départ de la détente avec un instrument de mesure du poids des dé-

tentes. Si le poids de départ est inférieur à 1.2kg (2.8 lbs), augmentez-le.

- Simulez un tir et réalisez le cycle entier. L'indicateur devra être apparent, si ça n'est pas le cas contactez le SAV Bergara.

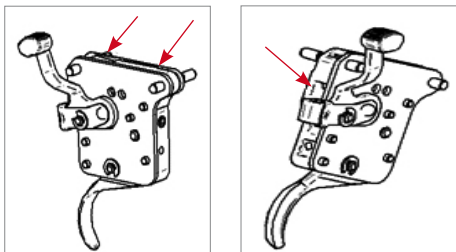
Conseil sur la sécurité :

Ne jamais réaliser ces essais avec une arme chargée.

14. ENTRETIEN DU MÉCANISME DE DÉTENTE

Vous devez lubrifier périodiquement la détente pour un bon fonctionnement.

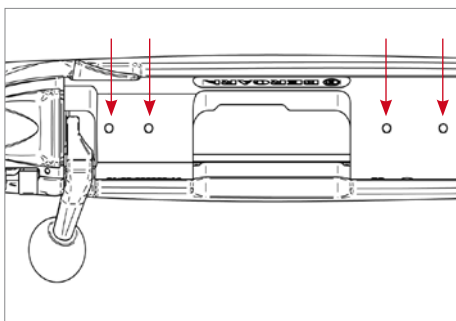
Nous recommandons d'utiliser des lubrifiants liquides et de ne pas employer de graisses solides comme la vaseline.



15. MONTAGE DE LA LUNETTE DE TIR

La carcasse dispose de 4 orifices filetés. Les rails commerciaux validés pour la Remington 700 sont adaptés à la Bergara B14. Les montages sont adaptés en hauteur et les vis aussi.

En installant le rail ou le montage de l'optique, nous recommandons d'utiliser un produit pour bloquer les filetages comparable aux produits Loctite 242. Ceci évitera que les montages se desserrent avec le temps.



15. MONTAGE DE LA LUNETTE DE TIR

Pour installer la lunette, suivez les instructions données par le fabricant de lunette.

Assurez-vous d'utiliser les vis adaptés pour fixer le rail. Les vis ne doivent pas ressortir dans la partie intérieure de la carcasse. Intervenir la position des deux vis pourrait produire des problèmes dans le fonctionnement de l'arme.

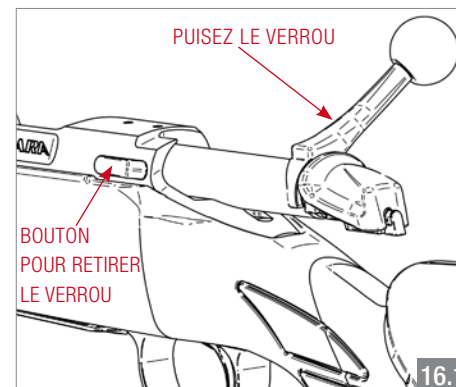
Conseils sur la sécurité :

Tirez toujours avec des lunettes de protection. N'installez pas la lunette trop près de l'œil. Avec le recul la lunette pourrait vous blesser au visage. Comme conseils pratiques l'idéal est que le poing du tireur puisse entrer entre la lunette et l'œil lors du tir. Si la distance oculaire de l'optique est très courte changez la pour une lunette avec une plus grande distance oculaire.

16. DÉMONTAGE DE L'ARME POUR LE NETTOYAGE

Pour le démontage de l'arme pour le nettoyage ou une inspection veuillez suivre les étapes suivantes : (fig. 16.1)

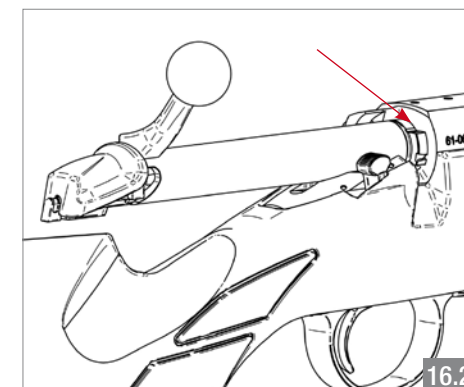
- Déchargez l'arme, sortez la bande du chargeur fixe ou enlevez le chargeur amovible.
- Ouvrez le verrou jusqu'à ce qu'il soit à 25mm de l'ouverture maximale.
- Appuyez sur le bouton pour retirer le verrou puis retirez-le.



- Vérifiez qu'il n'y a pas de munitions, regardez l'intérieur du canon depuis la chambre.

Pour remonter l'arme démontée : (fig. 16.2)

- Appuyez sur le bouton pour remettre le verrou, puis alignez les tenons du verrou avec les gorges ou il coulisse.
- Regardez que la bande du chargeur soit fermée ; sinon fermez-la.



17. NETTOYAGE ET ENTRETIEN

En général, la B14 est une arme facile à entretenir. Dans ce chapitre vous disposerez de toutes les informations pour garder votre carabine bien entretenue.

Après avoir fait un tir avec la carabine, si vous ne nettoyez pas de la façon adéquate avant 24h, la corrosion apparaîtra sur différents composants de l'arme. Dans des environnements humides l'apparition de la corrosion sera plus probable que dans des conditions normales.

Il est donc recommandé de nettoyer les pièces suivantes régulièrement, surtout après une journée de chasse ou au stand de tir (consultez toujours les instructions données par le fabricant de produits chimiques.)

Canon

La haute qualité des canons Bergara nécessite de prendre des précautions pour maintenir sa précision. Vous devrez suivre les conseils suivants :

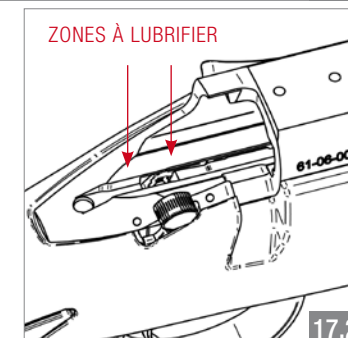
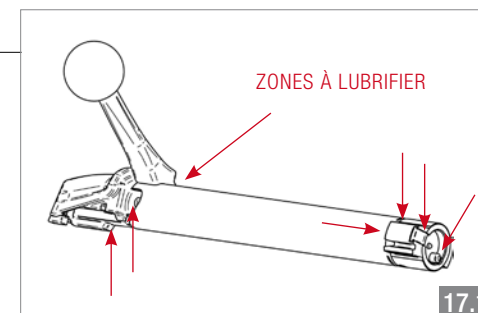
- Le bon sens pour nettoyer un canon est de la chambre vers la bouche du canon. Nettoyer le canon dans le sens contraire affecte sérieusement la précision de l'arme.
- Si possible utilisez une tige de nettoyage d'une seule pièce et de qualité pour éviter d'endommager le canon.
- Utilisez des produits de nettoyages adéquats pour aider à allonger la vie de votre canon.
- Essayez d'éviter que du cuivre s'accumule dans les rayures du canon, cela permettra de réduire considérablement les pressions.
- Nous recommandons l'utilisation de brosse de bonne qualité pour le nettoyage du canon. Ne pas utiliser de brosse en acier inoxydable.
- Nous recommandons aussi un bon nettoyage de la chambre avec une brosse adaptée
- Après avoir nettoyé le canon passez la baguette avec un tampon imbibé d'huile pour arme pour éviter l'oxydation. Passez un tampon sec avant de tirer pour retirer l'excédent d'huile.

Important : les restes d'huile dans le canon au moment de tirer pouvant causer des surpressions.

- Vérifiez souvent que la bouche du canon n'est pas endommagée, ceci pourrait affecter sérieusement la précision.

Action et verrou

- Nettoyez le verrou complètement et l'intérieur de l'action avec un chiffon imprégné d'un produit adapté pour retirer tous les résidus.
- Avec une brosse, nettoyez la tête de culasse et l'extracteur. Nettoyez aussi toutes les parties du mécanisme de tir et les tenons du verrou.
- Vous devez lubrifier ou graisser le corps du verrou, les tenons, les rainures ou coulisse le verrou et toutes les parties mentionnée sur les *fig.17.1 et fig. 17.2*. vous devrez mettre une goutte d'huile fréquemment sur l'expulseur et l'extracteur afin d'obtenir une fine pellicule d'huile.



Stock

- Vous pouvez utiliser une brosse fine pour éliminer la poudre et les résidus à l'extérieur.
- La crosse synthétique peut être nettoyée facilement avec un chiffon micro fibre humide.
- La crosse en bois a été traitée avec de l'huile en usine. Normalement il est suffisant de la sécher après usage, bien que pour la conservée en bon état il est convenable de passer occasionnellement une couche d'huile pour crosse.
- Après avoir nettoyé, graissez toutes les pièces métalliques apparentes sur la carabine.

18. STOCKAGE

- Stockez votre arme dans une chambre forte, et mettez un dispositif pour réduire l'humidité.
- De temps en temps, retirez l'arme de son lieu de stockage et nettoyez là.
- Suivez les normes de stockage des armes.
- Si vous stockez l'arme pendant longtemps sans l'utiliser, gardez-la avec le percuteur abaissé pour éviter de fatiguer les ressorts de percuteurs.

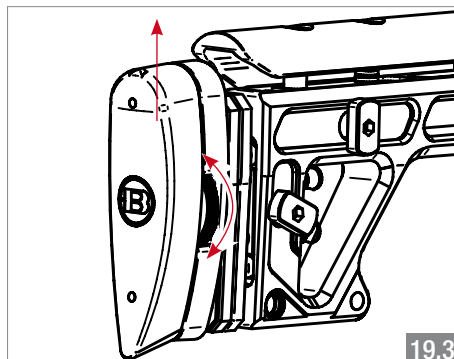
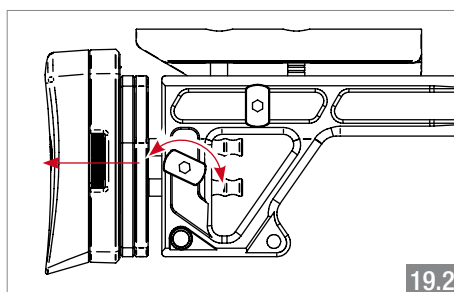
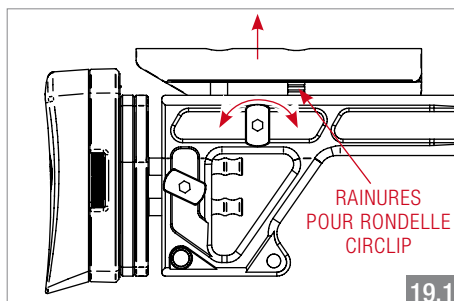
19. B14 MODÈLE BMP

La crosse BMP (Bergara Match Précision) est fabriquée en aluminium aéronautique du type 7075 pour garantir un usage parfait. Dans ce chapitre vous trouverez tous les détails que vous devez savoir sur le fonctionnement de cette crosse.

Réglage de la crosse

La crosse BMP est équipée de 3 systèmes de réglage qui permettent à l'utilisateur d'adapter à sa morphologie et à sa position de tir les éléments de la crosse.

- Le busc peut être ajusté en hauteur très facilement. Tournez le vis du busc vers la gauche pour libérer le busc et adaptez le à la hauteur désirée, une fois adapté, tournez le vis de réglage à droite pour figer le busc au réglage mis en place. Le guide avant du busc est rainuré pour pouvoir mettre une rondelle circlip et ainsi garder toujours le même réglage après démontages et remontages. (fig.19.1)
- Cette carabine peut être ajustée en 5 longueurs différentes, tournez la vis de réglage vers la gauche pour libérer le système, déplacez la place de couche à la position qui vous convient et tournez la vis à la droite pour figer le montage. (fig.19.2)
- La plaque de couche est modulable en hauteur en fonction des nécessités de l'utilisateur. Tournez la molette vers la gauche pour débloquer la plaque de couche, ajustez la comme vous voulez, puis tourner la molette vers la droite pour bloquer la plaque de couche. (fig. 19.3)



- Poignée
- Partie arrière (crosse, nécessite un adaptateur)
- Divers accessoires (rails picatinny, bipied...)

La crosse BMP offre la possibilité d'intégrer des éléments d'AR-15 :

19. B14 MODÈLE BMP

Chargement de la carabine

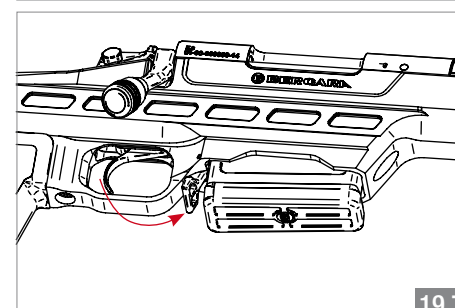
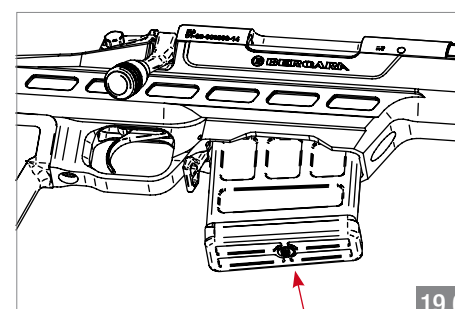
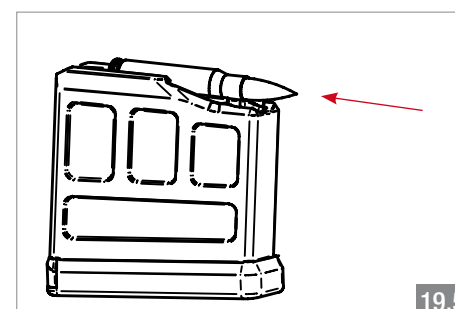
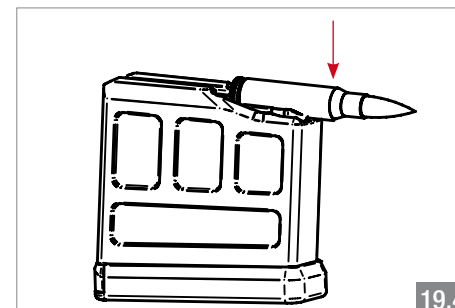
Le chargeur de la carabine BMP se charge de la façon suivante :

- Alimentez le chargeur par l'ouverture supérieure avec la munition correspondante. Pour ça insérez la cartouche vers le bas (fig.19.4) une fois dans le chargeur faite la glisser jusqu'au fond (fig.19.5). La capacité du chargeur est de 5 cartouches plus une chargée. Si vous ne réalisez pas parfaitement ces opérations il pourrait survenir des problèmes de fonctionnement.

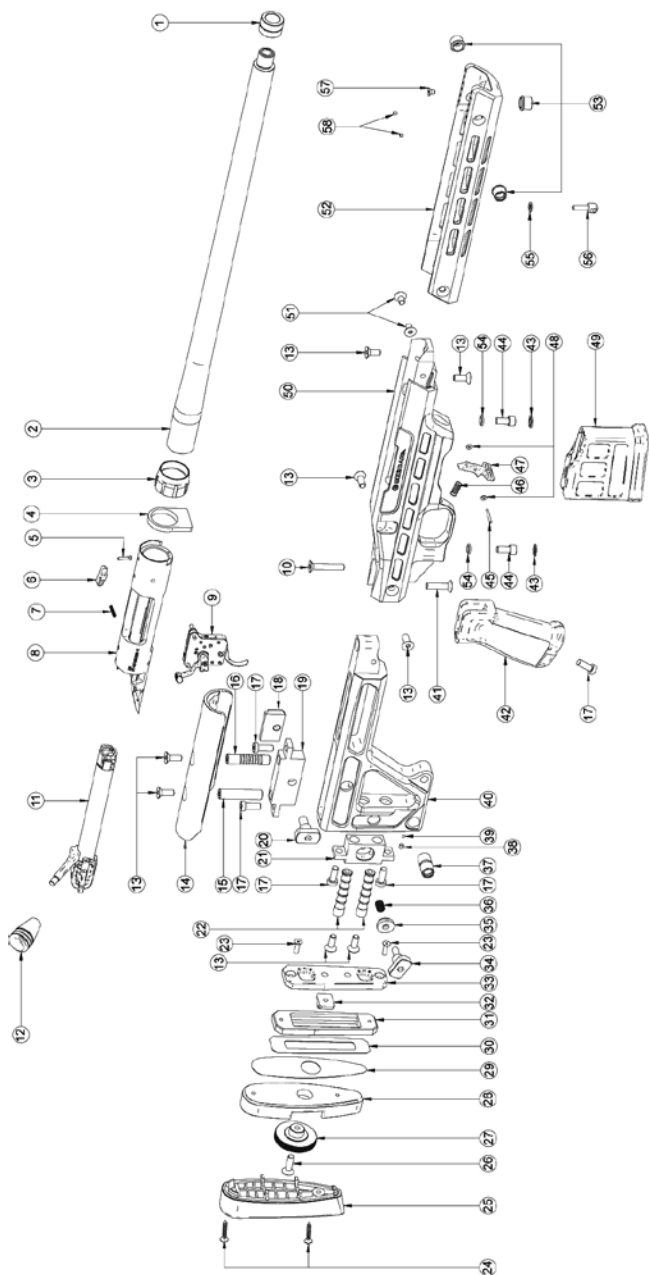
Conseil sur la sécurité :

Vérifiez bien que la munition qui est chargée est la bonne. Le canon de la carabine dispose du calibre marqué sur le côté. Tirer une munition d'un calibre différent au marquage du canon est très dangereux et pourrait causer des accidents très graves.

- Pour mettre le chargeur en place insérez le dans le puits de chargeur avec la partie sortie de munition vers le haut (fig. 19.6) inclinez légèrement le chargeur vers l'avant pour l'introduire plus facilement.
- Actionnez le petit levier en avant du pontet pour libérer le chargeur. (fig. 19.6)



20. DESCRIPTION DU MODÈLE BMP

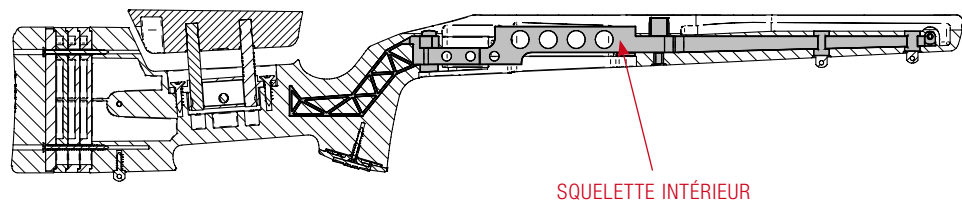


20. DESCRIPTION DU MODÈLE BMP

ITEM N.	DESCRIPTION	ITEM N.	DESCRIPTION
1	Bague de filetage	30	Adhésif du guide
2	Canon	31	Guide réglages plaque de couche
3	Bague démontage canon	32	Ecrou de réglages de la plaque de couche
4	Base ancrage canon/carcasse	33	Support des guides
5	Vis du levier de rétention du verrou	34	Vis de réglages de la plaque de couche
6	Levier de rétention du verrou	35	Rondelle de fixation de la plaque de couche
7	Ressort de rétention du verrou	36	Ressort de fixation de la plaque de couche
8	Action	37	Support de bretelle arrière
9	Mécanisme détente	38	Ecrou
10	Vis d'assemblage de la crosse	39	Bille de roulement
11	Corps du verrou	40	Partie arrière
12	Boule du verrou	41	Vis d'assemblage de la crosse
13	Vis d'assemblage du busc	42	Grip poignée pistolet
14	Busc	43	Freins de vis
15	Guide arrière du busc	44	Vis de la carcasse
16	Guide avant du busc (rainuré)	45	Tige du levier
17	Vis de fixation de la base	46	Ressort du levier
18	Ecrou de fixation du busc	47	Levier
19	Base des guides du busc	48	Rondelle du levier
20	Vis de réglage hauteur du busc	49	Chargeur
21	Base des guides de la plaque de couche	50	Partie centrale
22	Guides de la plaque de couche	51	Vis d'union crosse
23	Vis de fixation des pièces	52	Garde main
24	Vis de la plaque de couche	53	Support bretelle avant
25	Plaque de couche	54	Rondelle de la carcasse
26	Vis de réglage de la plaque de couche	55	Rondelle de plastique
27	Molette de réglage hauteur de la plaque de couche	56	Grenadière
28	Support de plaque de couche	57	Vis de support
29	Adhésif en caoutchouc pour support	58	Ecrou

21. B14 MODÈLE HMR

La crosse HMR (Hunting Match Rifle) est pourvue d'un squelette intérieur en aluminium ce qui en fait une crosse parfaite pour la chasse à longue distance. Dans ce chapitre vous aurez tous les détails que vous devrez savoir sur le fonctionnement de cette carabine.

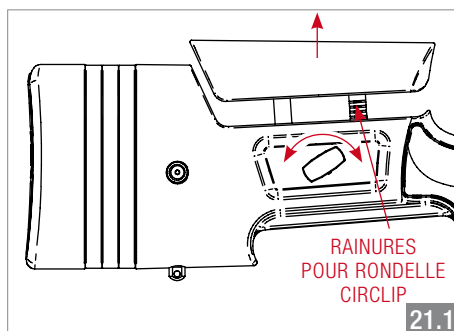


SQUELETTE INTÉRIEUR

Réglage de la crosse

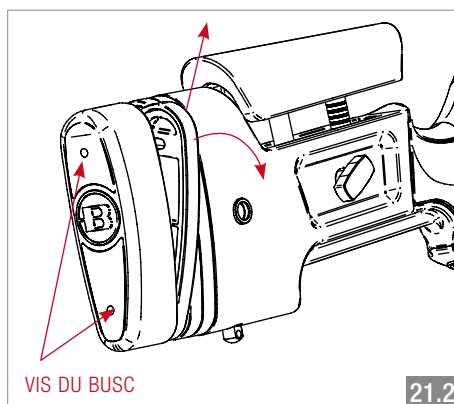
La crosse HMR est modulable en longueur et le réglage du busc permet à l'utilisateur de configurer sa crosse à son goût en fonction de sa morphologie et de ses habitudes de tir.

- Le busc peut être ajusté en hauteur très facilement. Tournez le vis du busc vers la gauche pour libérer le busc et adaptez le à la hauteur désirée, une fois adapté, tournez le vis de réglage à droite pour figer le busc au réglage mis en place. Le guide avant du busc est rainuré pour pouvoir mettre une rondelle circlip et ainsi garder toujours le même réglage après démontages et remontages. (fig. 21.1)
- Cette carabine est ajustable en 4 longueurs différentes. Vous pouvez ajouter des intercalaires ou au contraire en quitter. Sortez les vis de la plaque de couche tournez les intercalaires et enlevez en jusqu'à ce que la



RAINURES POUR RONDELLE CIRCLIP

21.1



VIS DU BUSC

21.2

longueur vous convienne et remettez les vis de la plaque de couche.

21. B14 MODÈLE HMR

Chargement de la carabine

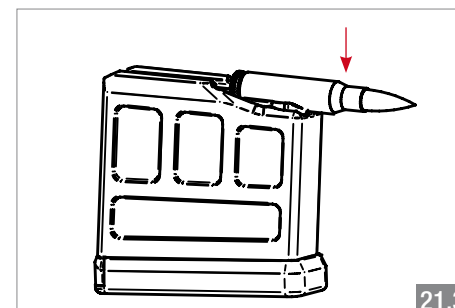
Le chargeur de la carabine HMR se charge de la façon suivante :

- Alimentez le chargeur par l'ouverture supérieure avec la munition correspondante. Pour ça insérez la cartouche vers le bas (fig.21.3) une fois dans le chargeur faite la glisser jusqu'au fond (fig.21.4). La capacité du chargeur est de 5 cartouches plus une chambrée. Si vous ne réalisez pas parfaitement ces opérations il pourrait survenir des problèmes de fonctionnement.

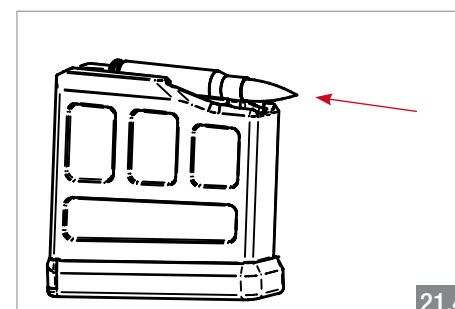
Conseils sur la sécurité :

Vérifiez bien que la munition qui est chargée est la bonne. Le canon de la carabine dispose du calibre marqué sur le côté. Tirer une munition d'un calibre différent au marquage du canon est très dangereux et pourrait causer des accidents très graves.

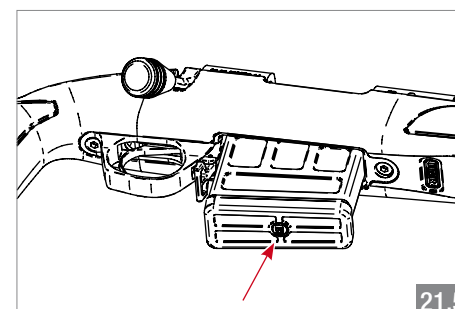
- Pour mettre le chargeur en place insérez le dans le puis de chargeur avec la partie sortie de munition vers le haut (fig. 21.5) inclinez légèrement le chargeur vers l'avant pour l'introduire plus facilement.
- Actionnez le petit levier en avant du pontet pour libérer le chargeur. (fig. 21.6)



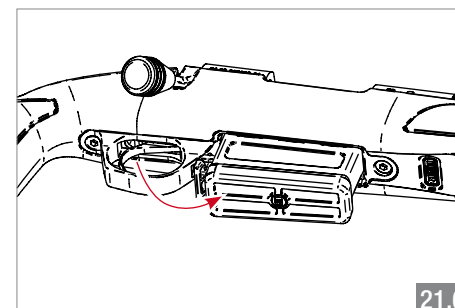
21.3



21.4

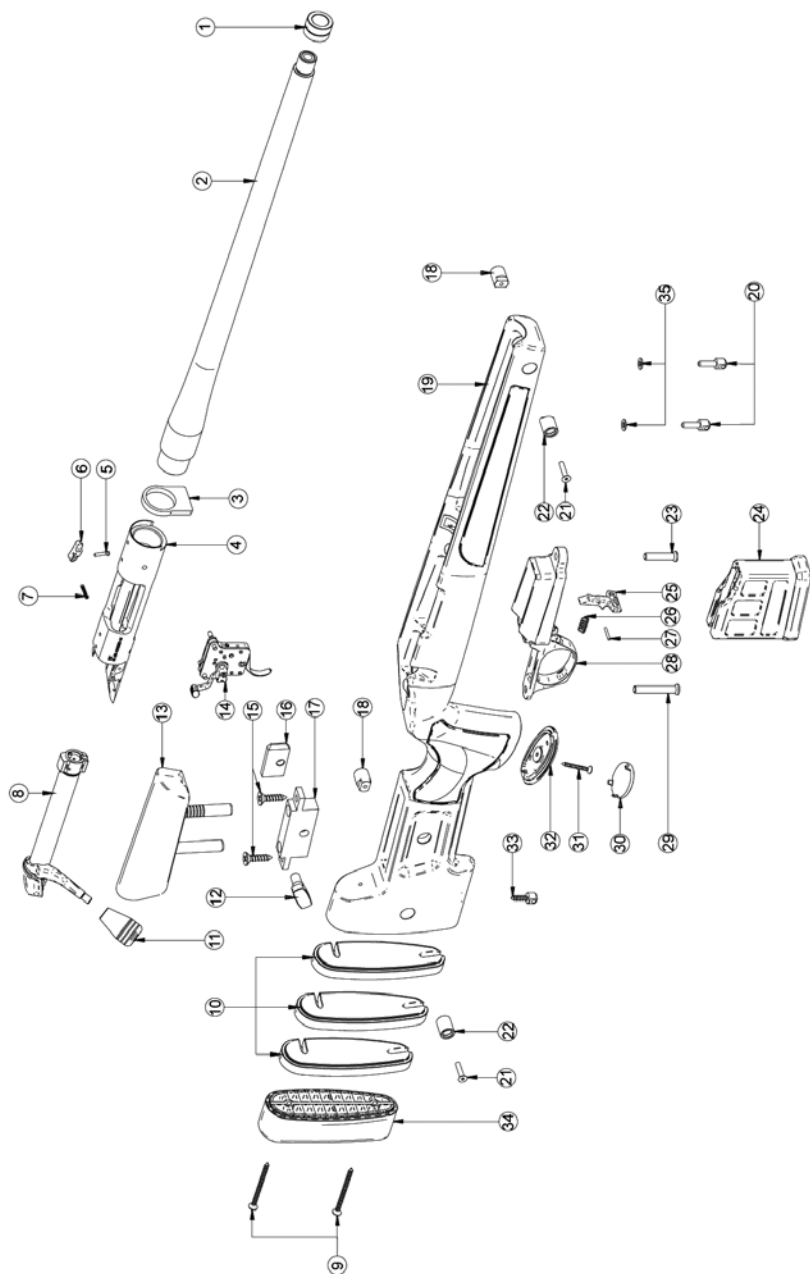


21.5



21.6

22. DESCRIPTION B14 MODÈLE HMR



22. DESCRIPTION B14 MODÈLE HMR

ITEM N.	DESCRIPTION	ITEM N.	DESCRIPTION
1	Bague filetage	19	Crosse
2	Canon	20	Grenadières
3	Base ancrage canon/carcasse	21	Vis de fixations des supports
4	Action	22	Support de bretelle droit
5	Vis du levier de rétention du verrou	23	Vis de fixation pontet, action, crosse
6	Levier de rétention du verrou	24	Chargeur
7	Ressort de rétention du verrou	25	Levier du chargeur
8	Corps du verrou	26	Ressort du levier de chargeur
9	Vis de plaque de couche	27	Tige du levier de chargeur
10	Intercalaire plaque de couche	28	Pontet
11	Boule du verrou	29	Vis de fixation pontet, action, crosse
12	Vis de réglages du busc	30	Bouchon de calotte
13	Busc	31	Vis de fixation de la calotte
14	Mécanisme détente	32	Calotte
15	Vis de fixation de la base	33	Grenadière
16	Ecrou de fixation du busc	34	Plaque de couche
17	Base des guides du busc	35	Rondelles de plastique
18	Support bretelle gauche		

23. QUESTIONS LES PLUS FRÉQUENTES, CAUSES ET SOLUTIONS

PROBLÈME	CAUSE	SOLUTION
L'arme est chargée, j'appuis sur la détente et le coup ne part pas	Munition défectueuse	Essayez avec une autre munition
	Le percuteur ne sors pas suffisamment pour percuter la cartouche ou le fais avec trop peu d'énergie	Contactez le SAV Bergara
	Percuteur cassé	
La cartouche ne rentre pas dans la chambre	Munition du mauvais calibre	Assurez-vous que la munition est du bon calibre
	La carabine est déjà chargée	Sortez avec précaution la douille de la chambre
	Quelque chose obstrue la chambre ou la chambre est très sale	Nettoyez avec précaution la chambre
	La chambre est endommagée	Contactez le SAV Bergara
Je n'arrive pas à abaisser le levier du verrou	Chambre sale (reste de douille...)	Nettoyez la chambre et si ça ne marche toujours pas contactez le SAV Bergara
	Vous avez utilisé des munitions d'autres calibres	Utilisez des munitions du bon calibre
	Expulseur de douille bloquée rigide	Mettez de l'huile, faite fonctionner si ça ne marche toujours pas contactez le SAV Bergara.
L'arme tire des lors que je ferme le verrou	Détente endommagée ou dérégulée	Arrêtez immédiatement, très dangereux. Contactez le SAV Bergara
L'arme tire avec la sécurité engagée	Attention ! Très dangereux ! Détente défectueuse	Contactez le SAV Bergara
La carabine a tiré mais la douille ne sort plus	L'extracteur ne fonctionne pas correctement.	Contactez le SAV Bergara
		Vérifiez que l'expulseur fonctionne correctement (effet ressort)
		Vérifiez que l'expulseur n'est pas cassé
		S'il est cassé ou ne fonctionne pas correctement contactez le SAV Bergara
	Douille défectueuse	Essayez avec d'autres munitions
Chambre endommagée	Contactez le SAV Bergara	

23. QUESTIONS LES PLUS FRÉQUENTES, CAUSES ET SOLUTIONS

PROBLÈME	CAUSE	SOLUTION
Je ne peux plus introduire les cartouches dans le chargeur	Palette du chargeur mal positionnée	Remplacez la palette correctement
	Cartouches mal introduites	Quand vous introduisez la cartouche vous devez enfoncer la cartouche jusqu'à ce que le culot touche la partie arrière du chargeur. Mettre la balle comme indiqué page 104
	Calibre de la munition incorrect	Assurez-vous que le calibre correspond au canon
La carabine tire, extrait la balle de la chambre mais ne l'éjecte pas	Expulseur sale ou oxydé	Nettoyez bien et lubrifiez la zone
	L'expulseur ne fonctionne pas correctement	Regardez que l'extracteur et l'expulseurs bougent correctement Vérifiez que l'extracteur n'est pas cassé Si vous constatez un problème contactez le SAV Bergara
Je ne peux pas ouvrir l'ouverture inférieure du chargeur	Saleté ou entretien insuffisant	Nettoyez puis lubrifiez la zone avec de l'huile en spray
Je ne peux pas fermer la trappe inférieure du chargeur	Problèmes de la palette du chargeur ou du ressort	Contactez le SAV Bergara
La carabine n'engage pas les cartouches du chargeur	Saleté ou entretien insuffisant	Nettoyez bien et lubrifiez la zone avec de l'huile en spray
	Problèmes sur la palette ou le ressort du chargeur	Contactez le SAV Bergara
	Cartouches mal introduites dans le chargeur	Sortez les balles et alimentez le chargeur de nouveau en vous assurant que les balles ce sont bien introduites suivez les conseils de la page 104 de ce manuel
	Le levier de sortie du verrou est cassé	Contactez le SAV Bergara

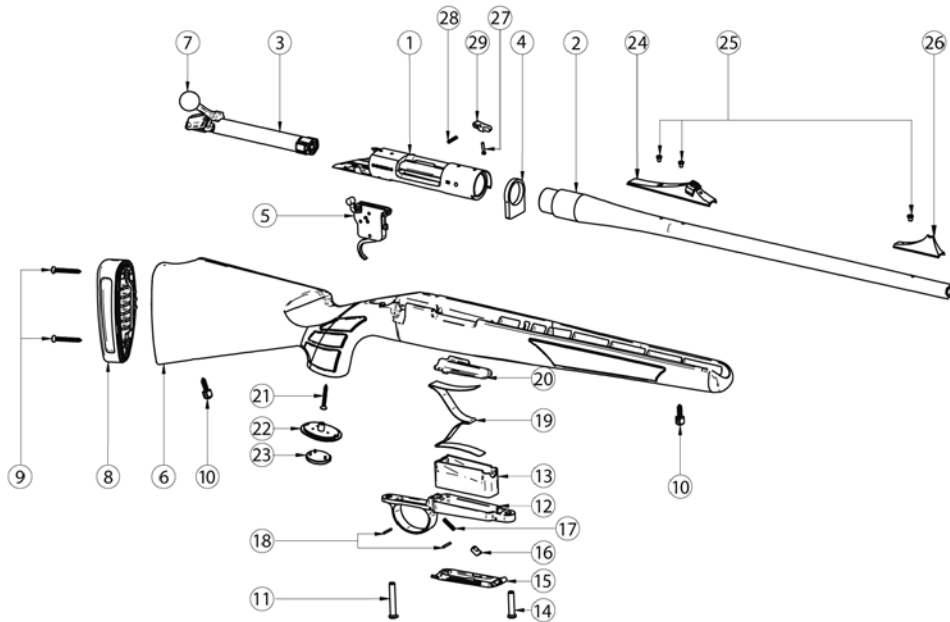
23. QUESTIONS LES PLUS FRÉQUENTES, CAUSES ET SOLUTIONS

PROBLÈME	CAUSE	SOLUTION
Le verrou sort sans toucher au levier pour retirer le verrou	Le levier de sortie du verrou est cassé	Contactez le SAV Bergara
Le capuchon arrière du verrou bouge	Tourné accidentellement quand le verrou était dehors	Tournez le capuchon jusqu'à sa position initiale avec la main
La détente est très dure	Détente mal réglée, saleté, détente défectueuse	Faites régler la dureté par un armurier qualifié ou contactez le SAV Bergara
Le mouvement du verrou est très dur	Mauvaise lubrification ou saletés	Sortez le verrou et nettoyez le verrou et l'action
	Verrou endommagé	Contactez le SAV Bergara
L'arme c'est oxydée	Entretien trop insuffisant	Éliminez l'oxydation puis huilez l'arme
Le levier de verrou est très dur	Entretien insuffisant, saletés	Contactez le SAV Bergara
	Munitions inadaptées qui causent des surpressions	Nettoyez et lubrifiez correctement
	Problème du mécanisme de la carabine	Utilisez des munitions commerciales
La boule de verrou se retire seule	Filetage cassé	Utilisez un produit pour bloquer la boule dans le filetage
	La boule est mal fixée	Contactez le SAV Bergara

23. QUESTIONS LES PLUS FRÉQUENTES, CAUSES ET SOLUTIONS

PROBLÈME	CAUSE	SOLUTION
La carabine ne groupe pas bien	Munition inadéquate	Essayez avec d'autres munitions
	Munition rechargée	
	Vous avez fait tomber l'arme ?	Vérifiez le bon état de l'arme et des éléments de visée, si tout est ok et que la carabine ne groupe pas contactez le SAV Bergara pour évaluer les dommages et la garantie
	Canon sale ou oxydé (surtout la bouche du canon)	Nettoyez bien le canon en fonction des conseils de ce manuel
	Chambre sale	
	Éléments de visés mal réglés ou cassés (lunette de tir)	Assurez-vous que les éléments de visée sont serrés à 7 Nm.
	Coup sur la bouche du canon	Contactez le SAV Bergara
	Accessoires montés sur le canon (à part lunette ou éléments de visée)	Démontez les accessoires que vous aviez montés sur le canon
	Canon qui touche le garde main, n'est plus flottant	Contactez le SAV Bergara
	La crosse est pas bien adaptée	Assurez-vous que toutes les vis sont bien serrées
	Détente très dure	Contactez le SAV Bergara
	Chambre endommagée	
	Fermeture du verrou défectueuse	

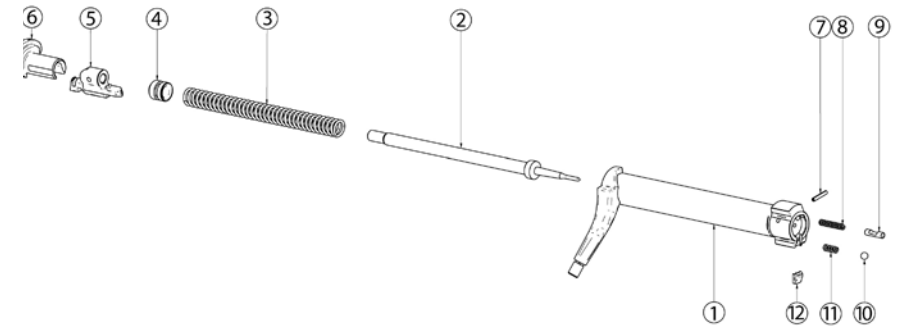
24. DESCRIPTION GÉNÉRALE



ITEM N.	DESCRIPTION	ITEM N.	DESCRIPTION
1	Action	16	Bouton d'ouverture du chargeur
2	Canon	17	Ressort du bouton d'ouverture
3	Corps du verrou	18	Tige pontet
4	Base ancrage canon/crosse	19	Ressort du chargeur
5	Mécanisme détente	20	Palette
6	Crosse	21	Vis de fixation de la calotte
7	Boule de verrou	22	Calotte
8	Plaque de couche	23	Capuchon de calotte
9	Vis de plaque de couche	24*	Hausse
10	Grenadière	25*	Vis des éléments de visée
11	Vis de fixation arrière de la crosse/ pontet/ canon	26*	Point de mire
12	Pontet	27	Vis du levier de rétention du verrou.
13	Chargeur	28	Ressort du levier de rétention du verrou
14	Vis de fixation avant crosse/pontet/canon	29	Levier de rétention du verrou
15	Ouverture du chargeur/ fond du chargeur		

* Les mires sont uniquement disponibles en Europe

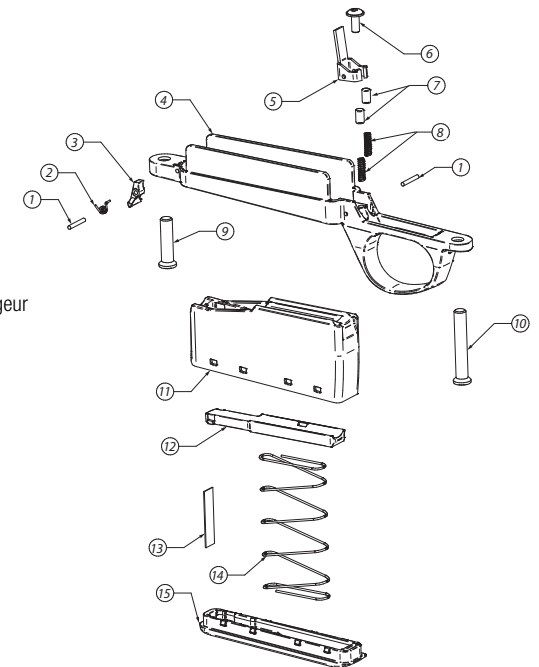
24. DESCRIPTION GÉNÉRALE



ITEM N.	DESCRIPTION	ITEM N.	DESCRIPTION
1	Corps du verrou	7	Tige de l'expulseur
2	Percuteur	8	Ressort de l'expulseur
3	Ressort du percuteur	9	Expulseur/éjecteur
4	Bouchon de maintien du ressort	10	Bille d'extracteur
5	Libérateur du percuteur	11	Ressort d'extracteur
6	Bouchon du percuteur	12	Extracteur

ITEM N. DESCRIPTION

1	Tige du pontet
2	Ressort du levier
3	Levier de libération du chargeur
4	Pontet
5	Plaque d'expulsion ou de maintien du chargeur
6	Vis de réglage de la plaque de maintien du chargeur
7	Tige
8	Ressorts
9	Vis avant de la crosse
10	Vis arrière de la crosse
11	Corps du chargeur
12	Palette
13	Plaque du chargeur
14	Ressort du chargeur
15	Ouverture du chargeur/ fond du chargeur



25. GARANTIE

Si vous avez des questions à propos de la garantie, vous pouvez contacter : Info@bergararifles.com

Pour les états unis et le canada contactez : contact@bergarausa.com

Ou par courrier postal au :

DIKAR S. Coop

Ugarte, 26

20570 Bergara - Gipuzkoa (Spain)

Bergara North America

BPI Outdoors

1270 Progress Center Ave. Suite 100

Lawrenceville, GA 30043

La carabine B14 est garantie à vie pour tous types de défauts de fabrication. Cette garantie est applicable seulement pour l'acheteur original et n'est pas transférable. Cette garantie ne couvre pas l'usure normale et les dommages normaux, les finitions du métal ou du bois, un usage abusif ou une mauvaise utilisation, les dommages matériels, le cout des désagréments subis ou le fait de ne pas utiliser l'arme.

Cette garantie est octroyée pour certains droits en fonction de la loi, et vous pourriez bénéficier d'autres droits qui varient d'un état à un autre, et d'un pays à l'autre. A part dans certains cas d'annulation de garantie mentionnés dans ce manuel, la garantie n'est pas valable si :

- Si des personnes non autorisées dans ce manuel on effectuée des réparations.
- Si l'arme a mal été entretenue (sale, oxydée, avec de la corrosion...)
- Si vous avez utilisé des munitions militaires, munitions rechargée, non autorisée par les normes CIP ou SAAMI
- Dommage par la suite du non-respect des instructions données dans ce manuel.

L'arme est vendue identifiée avec ses numéros de série sur le côté de l'action.

IMPORTANT ! En cas de renvois, assurez-vous que l'arme est déchargée !



Service après-vente SAV :

BERGARA

DIKAR S. Coop

Ugarte, 26

20570 Bergara - Gipuzkoa (Spain)

Tel.: +34 943 769 893

info@bergararifles.com

www.bergararifles.com

Facebook: Bergara Rifles Europe

Youtube: bergarainternational

Service après-vente états unis d'Amérique :

Bergara North America

BPI Outdoors

1270 Progress Center Ave. Suite 100

Lawrenceville, GA 30043

800 320-8767

www.bergarausa.com

contact@bergarausa.com

Facebook: Bergara USA

Youtube: Bergara US





BERGARA®
OUR BARRELS MAKE THE DIFFERENCE

BPI Outdoors

1270 Progress Center Ave. Suite 100
Lawrenceville, GA 30043
USA

www.bergarausa.com
contact@bergarausa.com

DIKAR S. COOP

Ugarte, 26
20570 Bergara
Gipuzkoa - Spain

www.bergararifles.com
info@bergararifles.com



Facebook

Bergara USA



Youtube

Bergara US



Instagram

bergara_rifles



Twitter

bergarausa



Facebook

Bergara Rifles Europe



Youtube

bergarainternational



Instagram

bergarainternational



Twitter

Bergara_intl